



FEATURES

- Above-floor rough (AFR)
- Durable high gloss finish
- Smooth wall, 4 piece molded sectionals
- Pre-Leveled base
- Caulkless Installation
- Leakproof right angle joint flanges
- Easy Wedge & Lock Installation
- Multiple integral soap shelves
- Left, right drain
- Slip resistant, textured bottom
- Available with Age-in-Place backing (6030CTSMMA)
- Available in White only
- 15-year residential limited warranty

ASSEMBLED MODEL COMPONENTS

- 6030CTMML (Base) or 6030CTMMR (Base)
- 6062CBW (Back Wall)
- 2462CSW (Side Walls)

PACKAGED DIMENSIONS (IN)

- Tub: 62 ½ x 34 x 21 ¼
- Back Wall: 65 x 61 ½ x 8 ½
- Side Wall Set: 64 x 26 ½ x 5 ¼

WHAT IS A² COMPOSITE?

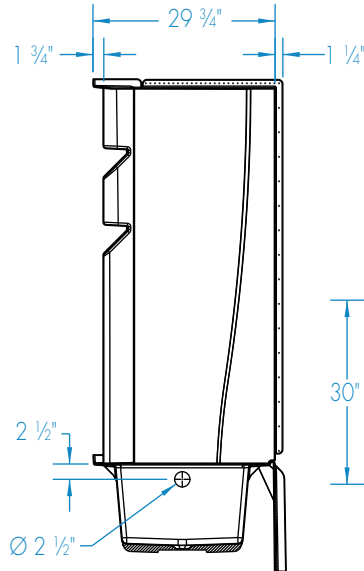
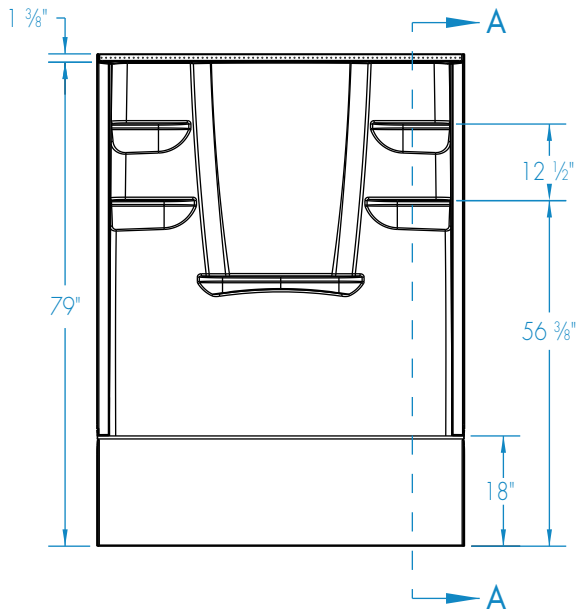
Lightweight and durable, our A² Composite is an engineered compound of resin, glass and special fillers formed into sheets. These sheets are then placed under high pressure and heat to liquify the compound, allowing it to flow and take the shape of almost any form imaginable. The results are simple, stylish and a snap to install.



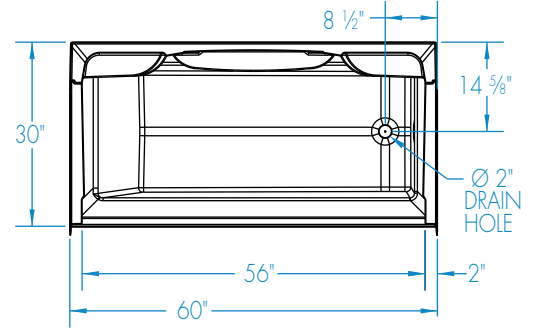


6030CTSMM

60 x 30 x 79 inches



Shelf Space
 Top: 4" x 12 3/4"
 Bottom: 4" x 13 3/4"



Assembled Model Components: 6030CTMML (Base) or 6030CTMMR (Base), 6062CBW (Back Wall), 2462CSW (Side Walls)

Age-In-Place Assembled Model Components: 6030CTMML (Base) or 6030CTMMR (Base), 6062CBWA (Back Wall), 2462CSWA (Side Walls)

FEATURES

Dimensional Tolerance $\pm \frac{3}{16}$ ". Dimensions needed for site preparation should be measured from the unit. Manufacturer assumes no responsibility for preparatory work.

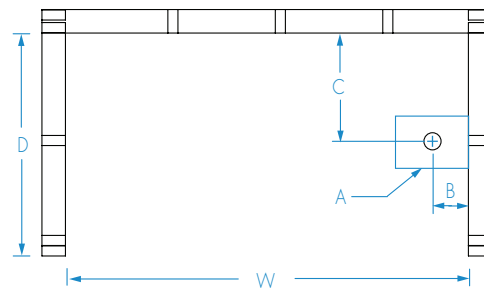
Model #	Material	Jets	Motor	Controls	Drain	Net Wt. lbs	Pkg. Wt. lbs
AFR Tub-Shower #6030CTSMM	A2 Composite	-	-	-	LH or RH	143	161

DIMENSIONS

Specifications	inches
Width: Overall / Net	60
Depth: Overall / Net	31 1/2 / 30
Height: Overall / Net	80 3/8 / 79
Enclosure Opening	56
Skirt Height	18
Drain Rough-In (from Back Wall)	14 5/8
Drain Rough-In (from Side Wall)	2 3/4
Drain: Diameter / Clearance	2 / 3 1/2

FRAMING DIMENSIONS inches

Type	D Depth	W Width	H Height	A	B	C
Alcove	31 1/2	60	77 3/8	Box Out	2 3/4	14 5/8



SUMP DATA

Top of Drain to Bottom of Overflow	Capacity to Overflow gal	WIDTH @ centerline		DEPTH @ centerline	
		Top	Bottom	Top	Bottom
9 1/2	36 1/10	51 5/8	44 1/2	21 5/8	19 5/8