

2540CCSWP – EVERYDAY BATHS

54 3/8 x 54 3/8 x 22 inches

SOAKER MODEL #2540CCS

WHIRLPOOL MODEL #2540CCSWP



FEATURES

- Corner design
- Ergonomic backrest
- Integral tiling flange (2T)
- Integral skirt
- Molded toiletry shelf
- Slip-resistant textured bottom
- Center rear drain
- AcrylX™ applied acrylic surface
- Lifetime limited warranty

Whirlpool Features:

- 4 directional hydrotherapy jets
- Color matched or clear trim
- Pneumatic on/off control
- Advanced safety suction system

OPTIONS

- Removable access panel (whirlpool models)
- Designer drain, waste & overflow

AQUATIC ADVANTAGE

- National distribution
- 6 manufacturing facilities
- Private fleet
- Centralized customer service
- Field support

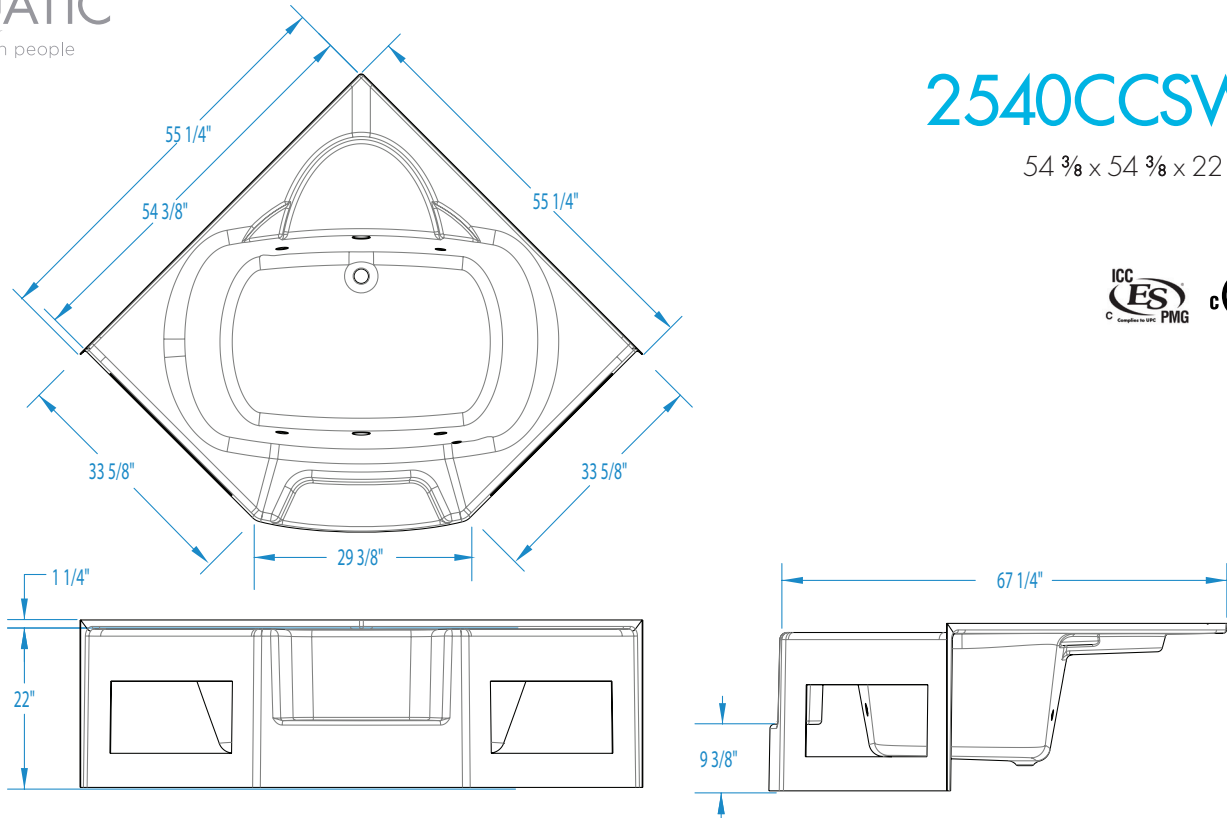
COLOR OPTIONS

| Stock | Upgraded | Premium |
|-----------|----------------------------------------------|--------------------------------------------------------------------------|
| White (C) | Almond (NA) Linen/Biscuit (C) Bone (C) | Black (NA) Mexican Sand (NA) Sand Bar (NA) Sterling Silver (NA) |



2540CCSWP

54 3/8" x 54 3/8" x 22 inches



FEATURES lbs Dimensional Tolerance $\pm 3/8"$. Dimensions needed for site preparation should be measured from the unit. Aquatic assumes no responsibility for preparatory work.

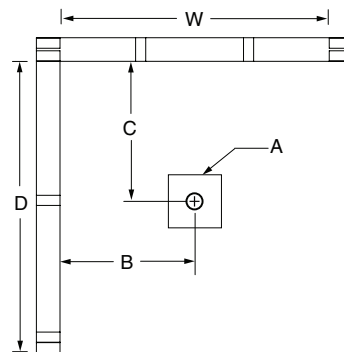
| Model # | Material | Jets | Motor | Controls | Drain | Net Wt. | Pkg. Wt. |
|----------------------|----------|------|--------|-----------|-------------|---------|----------|
| Soaker #2540CCS | AcrylX™ | 0 | - | - | Center Rear | 125 | 130 |
| Whirlpool #2540CCSWP | AcrylX™ | 4 | 63 GPM | Pneumatic | Center Rear | 175 | 180 |

DIMENSIONS

| Specifications | inches |
|---------------------------------|-----------------|
| Width: Overall / Net | 55 1/4 / 54 3/8 |
| Depth: Overall / Net | 33 5/8 |
| Height: Overall / Net | 23 1/4 / 22 |
| Enclosure Opening | - |
| Skirt Height | 22 |
| Drain Rough-In (from Back Wall) | 20 |
| Drain Rough-In (from Side Wall) | 20 |
| Drain: Diameter / Clearance | 2 / 3 1/2 |

FRAMING DIMENSIONS inches

| Type | D Depth | W Width | H Height | A | B | C |
|--------|------------|------------|-------------|---------|----|----|
| Alcove | 55 3/8 | 55 3/8 | 23 1/4 | Box Out | 20 | 20 |



SUMP DATA

| Top of Drain to Bottom of Overflow | Capacity to Overflow gal | Min. Operating Capacity gal | WIDTH @ centerline | | DEPTH @ centerline | |
|------------------------------------|--------------------------|-----------------------------|--------------------|--------|--------------------|--------|
| | | | Top | Bottom | Top | Bottom |
| 11 3/8 | 47 | 36 | 49 | 39 1/4 | 30 | 25 |