

2600CCWP – EVERYDAY BATHS

60 x 60 x 22 inches

SOAKER MODEL #2600CC

WHIRLPOOL MODEL #2600CCWP



FEATURES

- Corner bath
- Integral arm rests
- Ergonomic backrest
- Integral tiling flange (2T)
- Molded toiletry shelf
- Slip-resistant textured bottom
- Center drain
- AcrylX™ applied acrylic surface
- Lifetime limited warranty

Whirlpool Features:

- 4 directional hydrotherapy jets
- Color matched or clear trim
- Pneumatic on/off control
- Advanced safety suction system

OPTIONS

- Designer drain, waste & overflow

AQUATIC ADVANTAGE

- National distribution
- 6 manufacturing facilities
- Private fleet
- Centralized customer service
- Field support

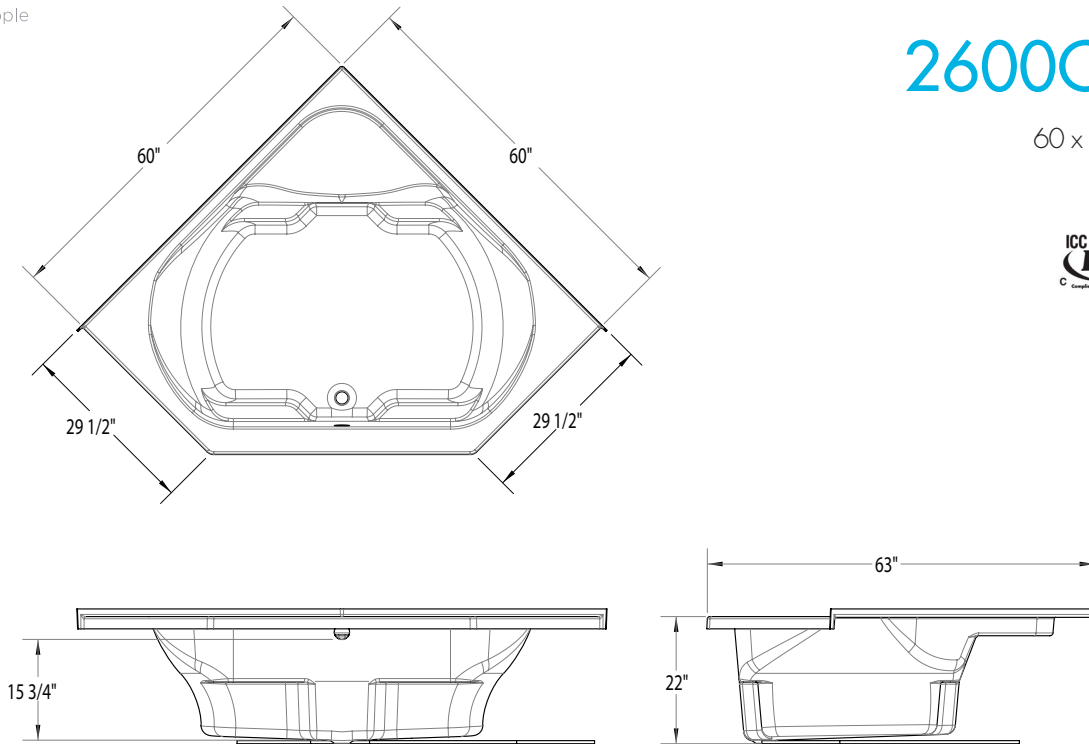
COLOR OPTIONS

Stock	Upgraded	Premium
White (C)	Almond (NA) Linen/Biscuit (C) Bone (C)	Black (NA) Mexican Sand (NA) Sand Bar (NA) Sterling Silver (NA)



2600CCWP

60 x 60 x 22 inches



FEATURES lbs Dimensional Tolerance $\pm \frac{3}{16}$ ". Dimensions needed for site preparation should be measured from the unit. Aquatic assumes no responsibility for preparatory work.

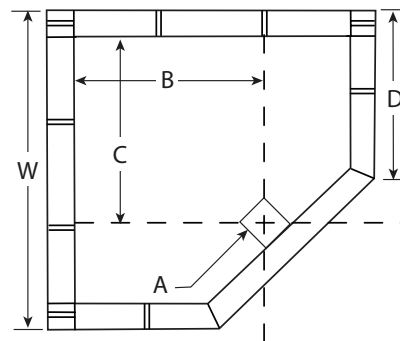
Model #	Material	Jets	Motor	Controls	Drain	Net Wt.	Pkg. Wt.
Soaker #2600CC	AcrylX™	0	–	–	Center Front	95	100
Whirlpool #2600CCWP	AcrylX™	4	63 GPM	Pneumatic	Center Front	145	150

DIMENSIONS

Specifications	inches
Width: Overall / Net	60
Depth: Overall / Net	28
Height: Overall / Net	23 ¼ / 22
Enclosure Opening	–
Skirt Height	22
Drain Rough-In (from Back Wall)	42 5/16
Drain Rough-In (from Side Wall)	42 5/16
Drain: Diameter / Clearance	2 / 1 ¼

FRAMING DIMENSIONS inches

Type	D Depth	W Width	H Height	A	B	C
Alcove	27 ½	58 ½	21 ¾	Box Out	42 5/16	42 5/16



SUMP DATA

Top of Drain to Bottom of Overflow	Capacity to Overflow gal	Min. Operating Capacity gal	WIDTH @ centerline		DEPTH @ centerline	
			Top	Bottom	Top	Bottom
15 ¾	90	50	63	44 ¾	37	33