

260304PSM – REMODELINE SECTIONALS

60 x 30 x 79 inches



FEATURES

- 4-piece tub-shower
- Smooth wall
- Multiple integrally molded toiletry shelves
- Above-floor rough
- Integral 21" skirt
- Left or right hand drain
- Slip-resistant, textured bottom
- AcrylX™ applied acrylic surface
- Lifetime limited warranty

OPTIONS

- Grab bar reinforcement
- Factory installed assisted care grab bars
- Designer drain, waste & overflow

AQUATIC ADVANTAGE

- National distribution
- 6 manufacturing facilities
- Private fleet
- Centralized customer service
- Field support

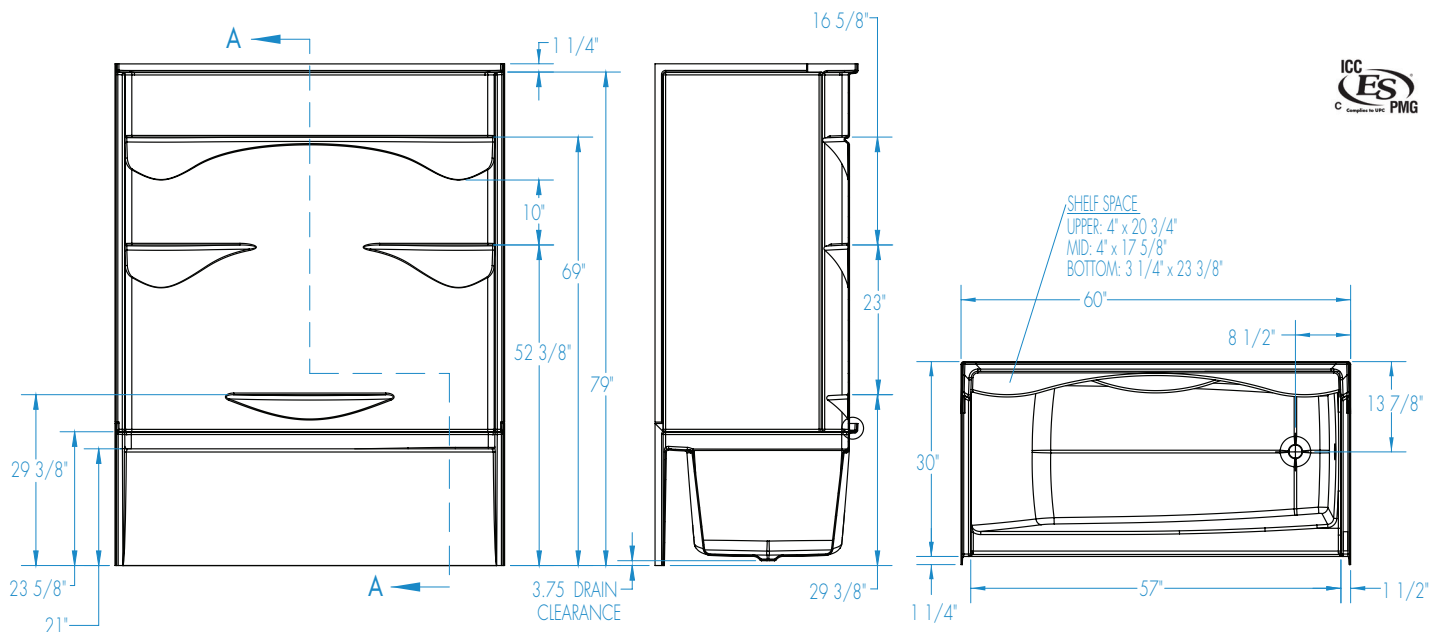
COLOR OPTIONS

Stock	Upgraded	Premium
White	Almond Linen/Biscuit Bone	Black Mexican Sand Sand Bar Sterling Silver



260304PSM

60 x 30 x 79 inches



FEATURES lbs Dimensional Tolerance $\pm \frac{3}{16}$ ". Dimensions needed for site preparation should be measured from the unit. Aquatic assumes no responsibility for preparatory work.

Model #	Material	Wall Finish	Pieces	Drain	Seat	Net Wt.	Pkg. Wt.
Shower #260304PSM	AcrylX™	Smooth	4	LH or RH	—	153	158

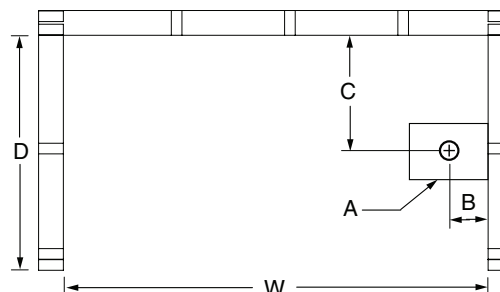
DIMENSIONS

Specifications	inches
Width: Overall / Net	60
Depth: Overall / Net	31 ¼ / 30
Height: Overall / Net	80 ¼ / 79
Enclosure Opening	57
Skirt Height	21
Drain Rough-In (from Back Wall)	13 ⅞
Drain Rough-In (from Side Wall)	2
Drain: Diameter / Clearance	2 / 3 ¾

FRAMING DIMENSIONS

 inches

Type	D Depth	W Width	H Height	A	B	C
Alcove	31 ¼	60	—	Box Out	2	13 ⅞



SUMP DATA

Top of Drain to Bottom of Overflow	Capacity to Overflow gal (ltr)	Min. Operating Capacity gal (ltr)	WIDTH @ centerline		DEPTH @ centerline	
			Top	Bottom	Top	Bottom
12 ⅝	56 ⅗	—	56 ¼	46	24 ⅝	22 ½