

# 2603CTWWP – EVERYDAY TUB/SHOWERS

60 x 32 x 72 inches

SOAKER MODEL #2603CTW

WHIRLPOOL MODEL #2603CTWWP



## FEATURES

- Tub-shower
- Textured tile finish
- Ergonomic backrest
- Slip-resistant textured bottom
- Left or right hand drain
- AcrylX™ applied acrylic surface
- Lifetime limited warranty

### Whirlpool Features:

- 4 directional hydrotherapy jets
- Advanced safety suction system
- Pneumatic on/off control

## OPTIONS

- Removable access panel (whirlpool models)
- Grab bar reinforcement
- Factory installed assisted care grab bars
- Designer drain, waste & overflow
- Shower Door Series L0516

## AQUATIC ADVANTAGE

- National distribution
- 6 manufacturing facilities
- Private fleet
- Centralized customer service
- Field support

## COLOR AND TRIM OPTIONS

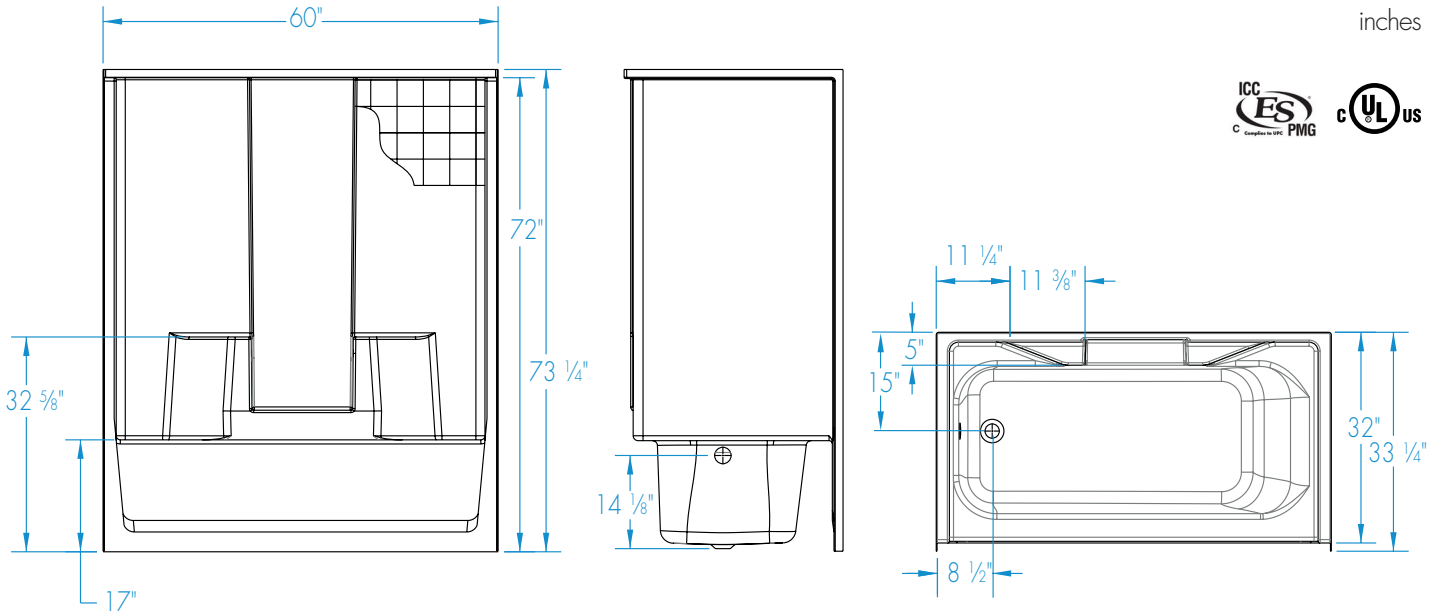
Stock	Upgraded	Premium
White (C)	Almond (NA) Linen/Biscuit (C) Bone (C)	Black (NA) Mexican Sand (NA) Sand Bar (NA) Sterling Silver (NA)

C = color matched trim NA = not applicable\* color not available for whirlpool models



# 2603CTWWP

60 x 32 x 72  
inches



**FEATURES** lbs      Dimensional Tolerance  $\pm 3/8"$ . Dimensions needed for site preparation should be measured from the unit. Aquatic assumes no responsibility for preparatory work.

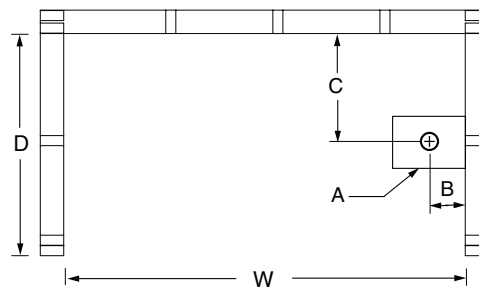
Model #	Material	Wall Finish	Jets	Motor	Controls	Drain	Net Wt.	Pkg. Wt.
Soaker #2603CTW	AcrylX™	Textured Tile	0	–	–	LH or RH	129	134
Whirlpool #2603CTWWP	AcrylX™	Textured Tile	4	63 GPM	Pneumatic	LH or RH	179	184

## DIMENSIONS

Specifications	inches
Width: Overall / Net	60
Depth: Overall / Net	33 1/4 / 32
Height: Overall / Net	73 1/4 / 72
Enclosure Opening	56
Skirt Height	17
Drain Rough-In (from Back Wall)	15
Drain Rough-In (from Side Wall)	2 1/2
Drain: Diameter / Clearance	2 / 3/4

## FRAMING DIMENSIONS inches

Type	D Depth	W Width	H Height	A	B	C
Alcove	33 1/4	60 1/8	–	Box Out	2 1/2	15



## SUMP DATA

Top of Drain to Bottom of Overflow	Capacity to Overflow gal	Min. Operating Capacity gal	WIDTH @ centerline		DEPTH @ centerline	
			Top	Bottom	Top	Bottom
12 1/4	50	45	53	43 1/2	22 1/2	20 1/2