

3232CS – A² COMPOSITE SHOWER

32 x 32 x 76 inches

A² COMPOSITE

Lightweight and durable, our A² Composite is an engineered compound of resin, glass and special fillers formed into sheets. These sheets are then placed under high pressure and heat to liquify the compound, allowing it to flow and take the shape of almost any form imaginable. The results are simple, stylish and a snap to install.



FEATURES

- Durable high gloss finish
- Smooth wall, 4 piece molded sectionals
- Pre-Leveled base
- Caulkless Installation
- Leakproof right angle joint flanges
- Easy Wedge & Lock Installation
- Multiple integral soap shelves
- Center drain
- Slip resistant, textured bottom
- Available with Age-in-Place backing
- Available in White and Biscuit
- 15-year residential limited warranty

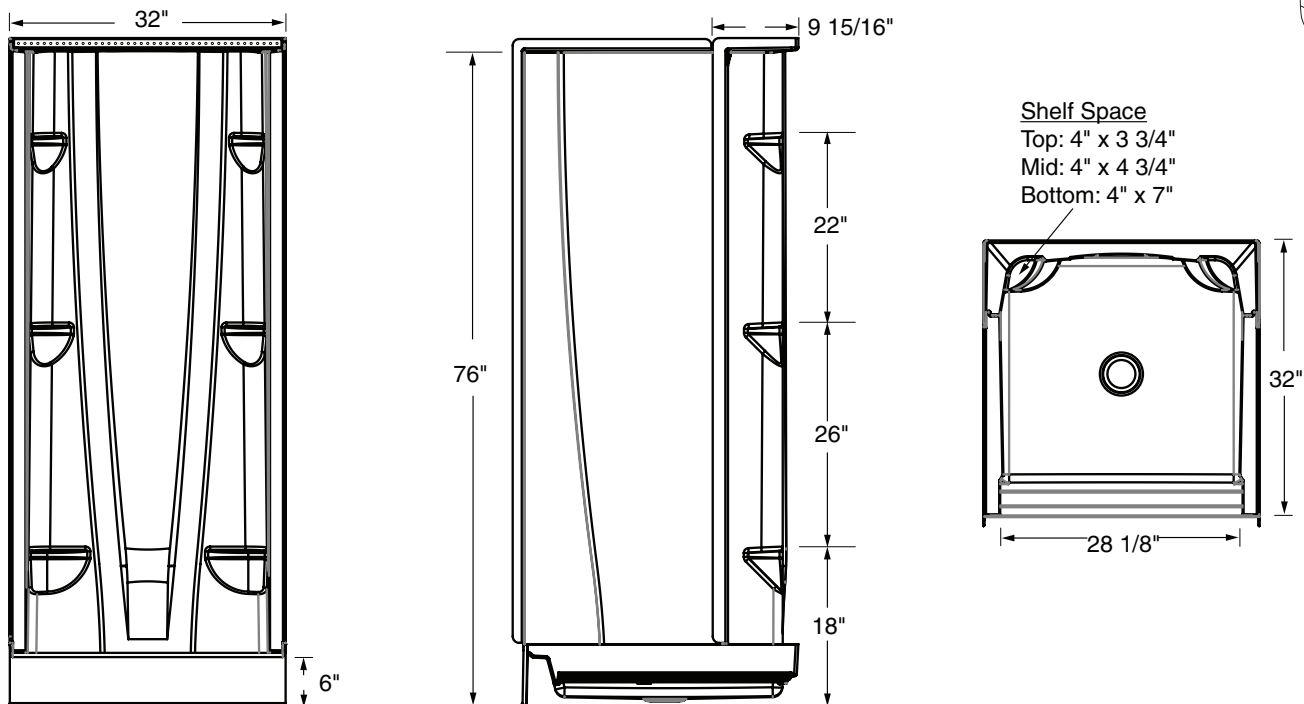
AQUATIC ADVANTAGE

- National distribution
- 6 manufacturing facilities
- Private fleet
- Centralized customer service
- Field support



3232CS

32 x 32 x 76 inches



FEATURES

lbs Dimensional Tolerance $\pm \frac{3}{8}$ ". Dimensions needed for site preparation should be measured from the unit. Aquatic assumes no responsibility for preparatory work.

Model #	Material	Wall Finish	Pieces	Drain	Seat	Net Wt.	Pkg. Wt.
Shower #3232CS	Composite	Smooth	4	Center	-	101	116

DIMENSIONS

Specifications	inches
Width: Overall / Net	32
Depth: Overall / Net	33 $\frac{1}{8}$ / 32
Height: Overall / Net	77 $\frac{3}{8}$ / 76
Enclosure Opening	28 $\frac{1}{8}$
Skirt Height	6
Drain Rough-In (from Back Wall)	15 $\frac{1}{2}$
Drain Rough-In (from Side Wall)	16
Drain: Diameter / Clearance	3 $\frac{1}{4}$ / $\frac{3}{8}$

FRAMING DIMENSIONS

Type	D Depth	W Width	H Height	A	B	C
Alcove	33 $\frac{1}{8}$	32	-	Box Out	16	15 $\frac{1}{2}$

