

# 3642APAN – EVERYDAY SHOWER PANS

36 x 42 x 6 inches



Shown with optional brass drain assembly.

## FEATURES

- Shower pan
- Slip-resistant, textured bottom
- Integral nailing flange (3T)
- Center drain
- Premium cast acrylic surface
- Lifetime limited warranty

## OPTIONS

- Brass drain assembly and cover

## AQUATIC ADVANTAGE

- National distribution
- 6 manufacturing facilities
- Private fleet
- Centralized customer service
- Field support

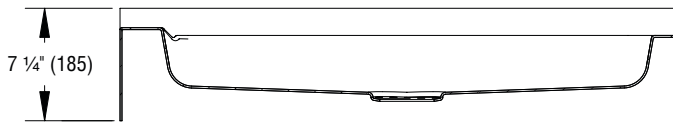
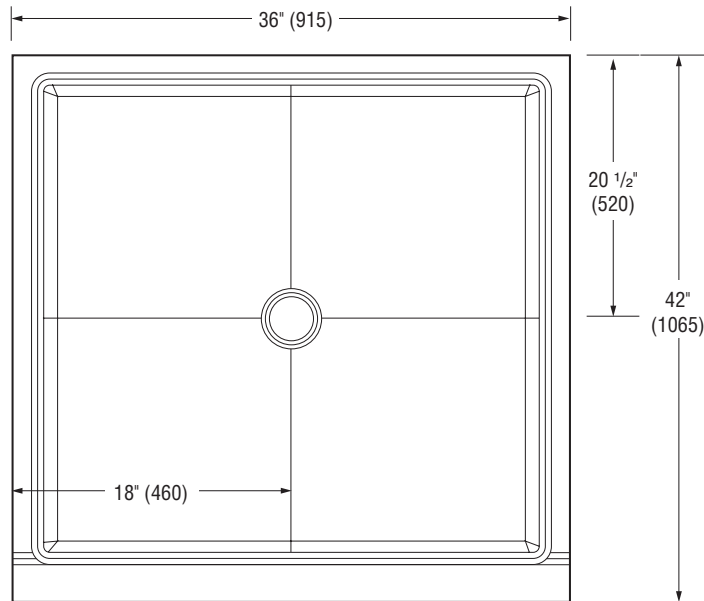
## COLOR OPTIONS

Stock	Upgraded
White	Biscuit



# 3642APAN

36 x 42 x 6 inches



**FEATURES** lbs Dimensional Tolerance  $\pm \frac{3}{8}$ ". Dimensions needed for site preparation should be measured from the unit. Aquatic assumes no responsibility for preparatory work.

Model #	Material	Drain	Net Wt.	Pkg. Wt.
Shower Pan #3642APAN	Cast Acrylic	Center	27	32

## DIMENSIONS

Specifications	inches
Width: Overall / Net	36
Depth: Overall / Net	42
Height: Overall / Net	7 1/4 / 6
Enclosure Opening	-
Skirt Height	6
Drain Rough-In (from Back Wall)	20 1/2
Drain Rough-In (from Side Wall)	18
Drain: Diameter / Clearance	3 1/4 / 3/4

## FRAMING DIMENSIONS inches

Type	D Depth	W Width	H Height	A	B	C
Alcove	42	36	-	Box Out	18	20 1/2

