

3642PAN – EVERYDAY SHOWER PANS

36 x 42 x 6 inches



Shown with optional brass drain assembly.

FEATURES

- Shower pan
- Slip-resistant, textured bottom
- Integral tiling flange (3T)
- Center drain
- AcrylX™ applied acrylic surface
- Lifetime limited warranty

OPTIONS

- Brass drain assembly and cover

AQUATIC ADVANTAGE

- National distribution
- 6 manufacturing facilities
- Private fleet
- Centralized customer service
- Field support

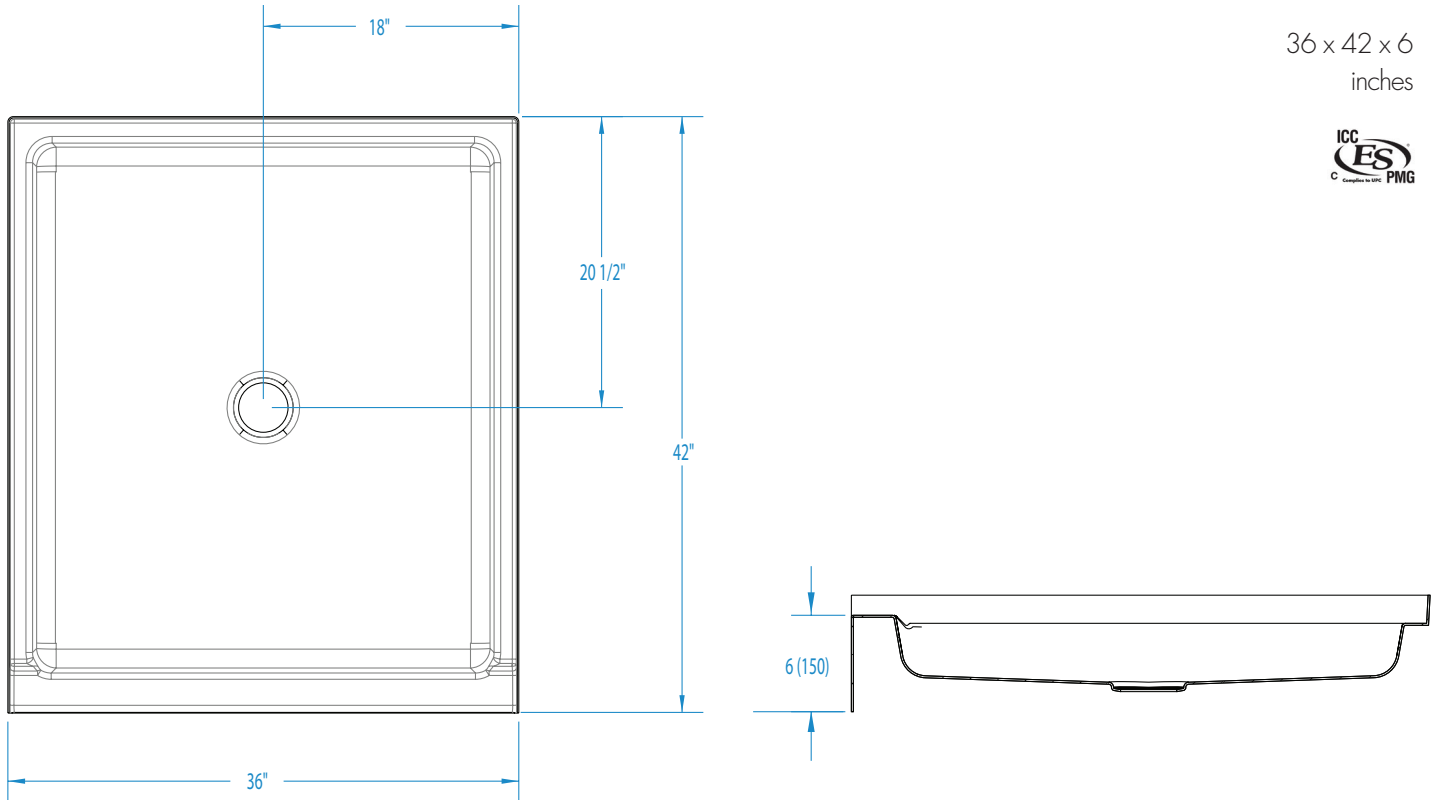
COLOR OPTIONS

Stock	Upgraded	Premium
White	Almond Linen/Biscuit Bone	Black Mexican Sand Sand Bar Sterling Silver



3642PAN

36 x 42 x 6
inches



FEATURES lbs Dimensional Tolerance $\pm \frac{3}{8}$ ". Dimensions needed for site preparation should be measured from the unit. Aquatic assumes no responsibility for preparatory work.

Model #	Material	Drain	Net Wt.	Pkg. Wt.
Shower Pan #3642PAN	AcrylX™	Center	36	41

DIMENSIONS

Specifications	inches
Width: Overall / Net	36
Depth: Overall / Net	42
Height: Overall / Net	7 ¼ / 6
Enclosure Opening	-
Skirt Height	6
Drain Rough-In (from Back Wall)	20 ½
Drain Rough-In (from Side Wall)	18
Drain: Diameter / Clearance	3 ¼ / 1 ¼

FRAMING DIMENSIONS inches

Type	D Depth	W Width	H Height	A	B	C
Alcove	42	36	-	Box Out	18	20 ½

