

# 4834CS – A<sup>2</sup> COMPOSITE SHOWER

48 x 34 x 76 inches

## A<sup>2</sup> COMPOSITE

Lightweight and durable, our A<sup>2</sup> Composite is an engineered compound of resin, glass and special fillers formed into sheets. These sheets are then placed under high pressure and heat to liquify the compound, allowing it to flow and take the shape of almost any form imaginable. The results are simple, stylish and a snap to install.



## AQUATIC ADVANTAGE

- National distribution
- 6 manufacturing facilities
- Private fleet
- Centralized customer service
- Field support

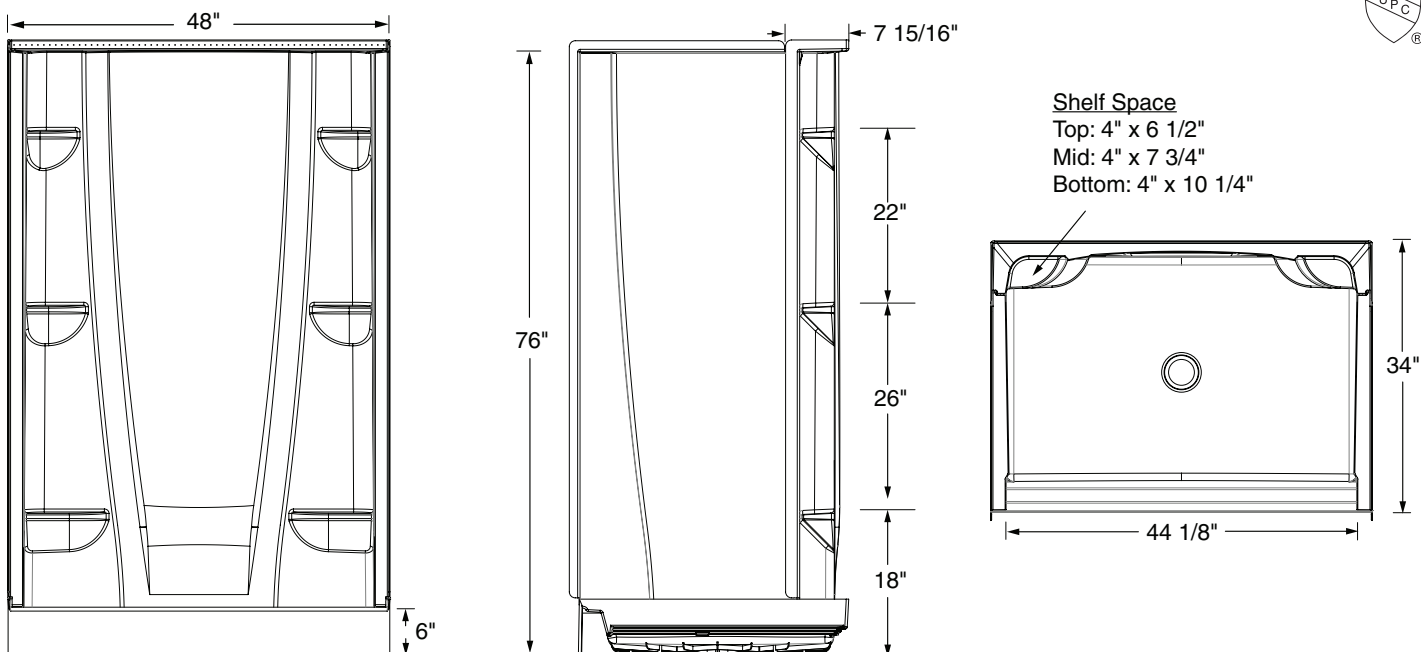


## FEATURES

- Durable high gloss finish
- Smooth wall, 4 piece molded sectionals
- Pre-Levelled base
- Caulkless Installation
- Leakproof right angle joint flanges
- Easy Wedge & Lock Installation
- Multiple integral soap shelves
- Center drain
- Slip resistant, textured bottom
- Available with Age-in-Place backing
- Available in White and Biscuit
- 15-year residential limited warranty

# 4834CS

48 x 34 x 76  
inches



## FEATURES

lbs Dimensional Tolerance  $\pm \frac{3}{8}$ ". Dimensions needed for site preparation should be measured from the unit. Aquatic assumes no responsibility for preparatory work.

Model #	Material	Wall Finish	Pieces	Drain	Seat	Net Wt.	Pkg. Wt.
Shower #4834CS	Composite	Smooth	4	Center	-	117	132

## DIMENSIONS

Specifications	inches
Width: Overall / Net	48
Depth: Overall / Net	35 1/8 / 34
Height: Overall / Net	77 3/8 / 76
Enclosure Opening	44 1/8
Skirt Height	6
Drain Rough-In (from Back Wall)	16 1/2
Drain Rough-In (from Side Wall)	24
Drain: Diameter / Clearance	3 1/4 / 3/8

## FRAMING DIMENSIONS

Type	D Depth	W Width	H Height	A	B	C
Alcove	35 1/8	48	-	Box Out	24	16 1/2

