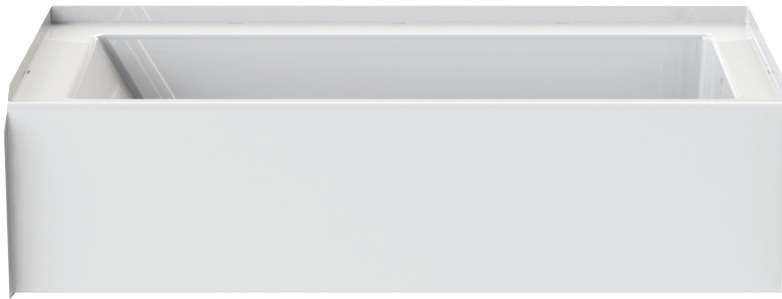


6030CTMIN – A² COMPOSITE TUB

60 x 30 x 15 inches

A² COMPOSITE

Lightweight and durable, our A² Composite is an engineered compound of resin, glass and special fillers formed into sheets. These sheets are then placed under high pressure and heat to liquify the compound, allowing it to flow and take the shape of almost any form imaginable. The results are simple, stylish and a snap to install.



FEATURES

- Pre-leveled base
- Slip resistant, textured bottom
- Available in White & Biscuit only
- Left, right drain
- Durable high gloss finish
- 15-year residential limited warranty

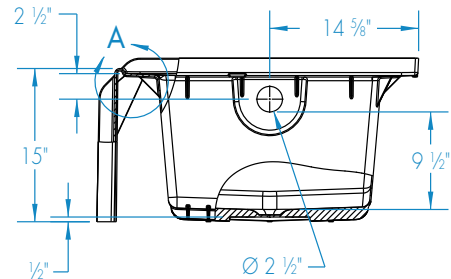
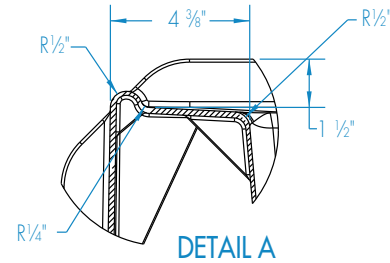
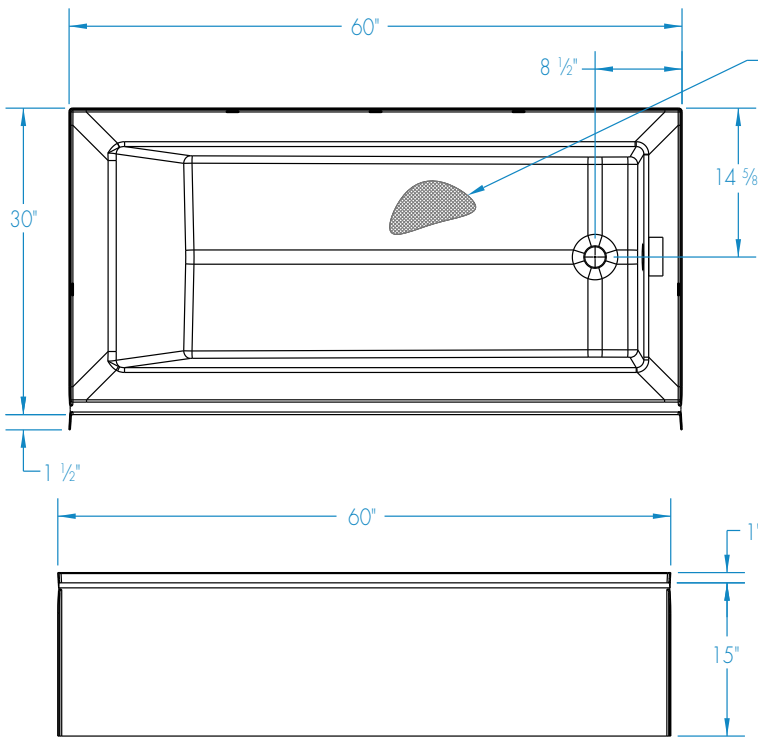
AQUATIC ADVANTAGE

- National distribution
- 6 manufacturing facilities
- Private fleet
- Centralized customer service
- Field support



6030CTMIN

60 x 30 x 15 inches



FEATURES

Dimensional Tolerance $\pm 3/16$ ". Dimensions needed for site preparation should be measured from the unit. Aquatic assumes no responsibility for preparatory work.

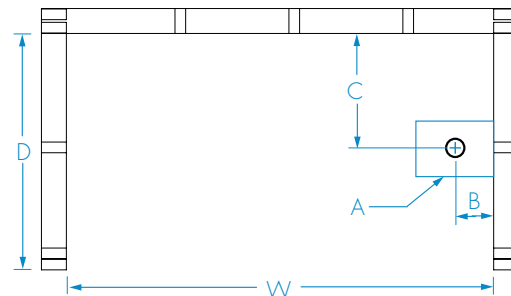
| Model # | Material | Jets | Motor | Controls | Drain | Net Wt. lbs | Pkg. Wt. lbs |
|-------------------|-----------|------|-------|----------|----------|----------------|-----------------|
| Soaker #6030CTMIN | Composite | - | - | - | LH or RH | 57 | 65 |

DIMENSIONS

| Specifications | inches |
|---------------------------------|-------------|
| Width: Overall / Net | 60 |
| Depth: Overall / Net | 31 1/2 / 30 |
| Height: Overall / Net | 16 / 15 |
| Enclosure Opening | - |
| Skirt Height | 15 |
| Drain Rough-In (from Back Wall) | 14 5/8 |
| Drain Rough-In (from Side Wall) | 2 3/4 |
| Drain: Diameter / Clearance | 2 / 1/2 |

FRAMING DIMENSIONS inches

| Type | D Depth | W Width | H Height | A | B | C |
|--------|------------|------------|-------------|---------|-------|--------|
| Alcove | 31 1/2 | 60 | 16 | Box Out | 2 3/4 | 14 5/8 |



SUMP DATA

| Top of Drain to Bottom of Overflow | Capacity to Overflow gal | Min. Operating Capacity gal | WIDTH @ centerline | | DEPTH @ centerline | |
|---------------------------------------|--------------------------------|-----------------------------------|--------------------|--------|--------------------|--------|
| | | | Top | Bottom | Top | Bottom |
| 9 1/2 | 36 1/10 | - | 51 5/8 | 44 1/2 | 21 5/8 | 19 5/8 |