

6032CTSMIN2 – A² COMPOSITE TUB/SHOWER

60 x 32 x 79 inches

A² COMPOSITE

Lightweight and durable, our A² Composite is an engineered compound of resin, glass and special fillers formed into sheets. These sheets are then placed under high pressure and heat to liquify the compound, allowing it to flow and take the shape of almost any form imaginable. The results are simple, stylish and a snap to install.



AQUATIC ADVANTAGE

- National distribution
- 6 manufacturing facilities
- Private fleet
- Centralized customer service
- Field support



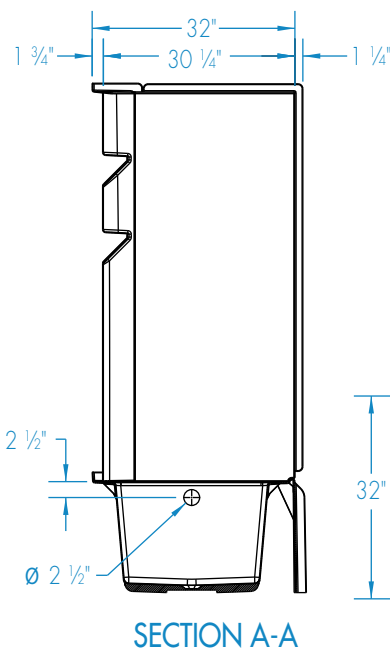
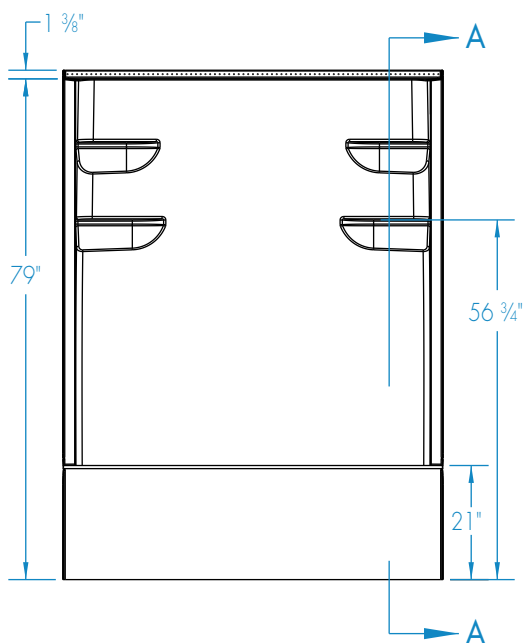
FEATURES

- Durable high gloss finish
- Smooth wall, 4 piece molded sectionals
- Pre-Leveled base
- Caulkless Installation
- Leakproof right angle joint flanges
- Easy Wedge & Lock Installation
- Multiple integral soap shelves
- Left, right drain
- Slip resistant, textured bottom
- Available with Age-in-Place backing
- Available in White & Biscuit only
- 15-year residential limited warranty

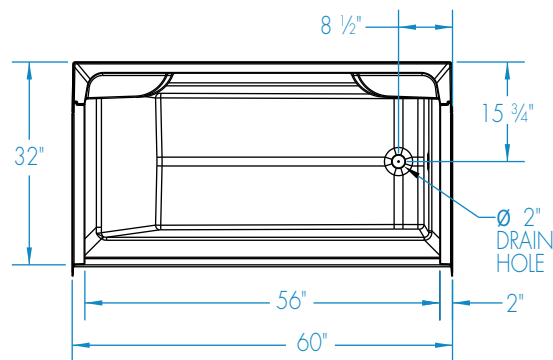


6032CTSMIN2

60 x 32 x 79 inches



Shelf Space
Top: 4" x 12 3/4"
Bottom: 4" x 13 3/4"



FEATURES

Dimensional Tolerance $\pm \frac{3}{16}$ ". Dimensions needed for site preparation should be measured from the unit. Aquatic assumes no responsibility for preparatory work.

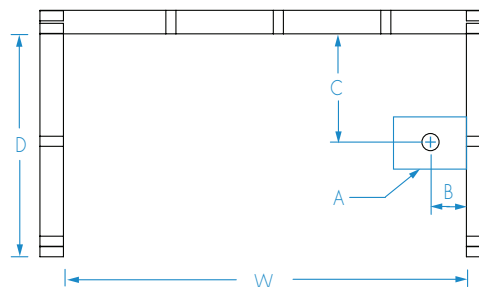
Model #	Material	Jets	Motor	Controls	Drain	Net Wt. lbs	Pkg. Wt. lbs
Tub-Shower #6032CTSMIN2	A2 Composite	-	-	-	LH or RH	125	133

DIMENSIONS

Specifications	inches
Width: Overall / Net	60
Depth: Overall / Net	33 1/2 / 32
Height: Overall / Net	80 3/8 / 79
Enclosure Opening	56
Skirt Height	21
Drain Rough-In (from Back Wall)	15 3/4
Drain Rough-In (from Side Wall)	2 3/4
Drain: Diameter / Clearance	2 / 1/2

FRAMING DIMENSIONS inches

Type	D Depth	W Width	H Height	A	B	C
Alcove	33 1/2	60	80 3/8	Box Out	2 3/4	15 3/4



SUMP DATA

Top of Drain to Bottom of Overflow	Capacity to Overflow gal	WIDTH @ centerline		DEPTH @ centerline	
		Top	Bottom	Top	Bottom
12 5/8	52 1/10	51 5/8	42 1/8	23 7/8	21 3/8