

# 6032SMINWP – EVERYDAY BATHS

60 x 32 x 18 inches

SOAKER MODEL #6032SMIN

WHIRLPOOL MODEL #6032SMINWP



## FEATURES

- Alcove bath
- Integral skirt
- Deep bathing well
- Ergonomic backrest
- Slip-resistant textured bottom
- Left or right hand drain
- AcrylX™ applied acrylic surface
- Lifetime limited warranty

### *Whirlpool Features:*

- 6 directional hydrotherapy jets
- Pneumatic on/off control
- Advanced safety suction system
- Removable access panels

## OPTIONS

- Designer drain, waste & overflow

## AQUATIC ADVANTAGE

- National distribution
- 6 manufacturing facilities
- Private fleet
- Centralized customer service
- Field support

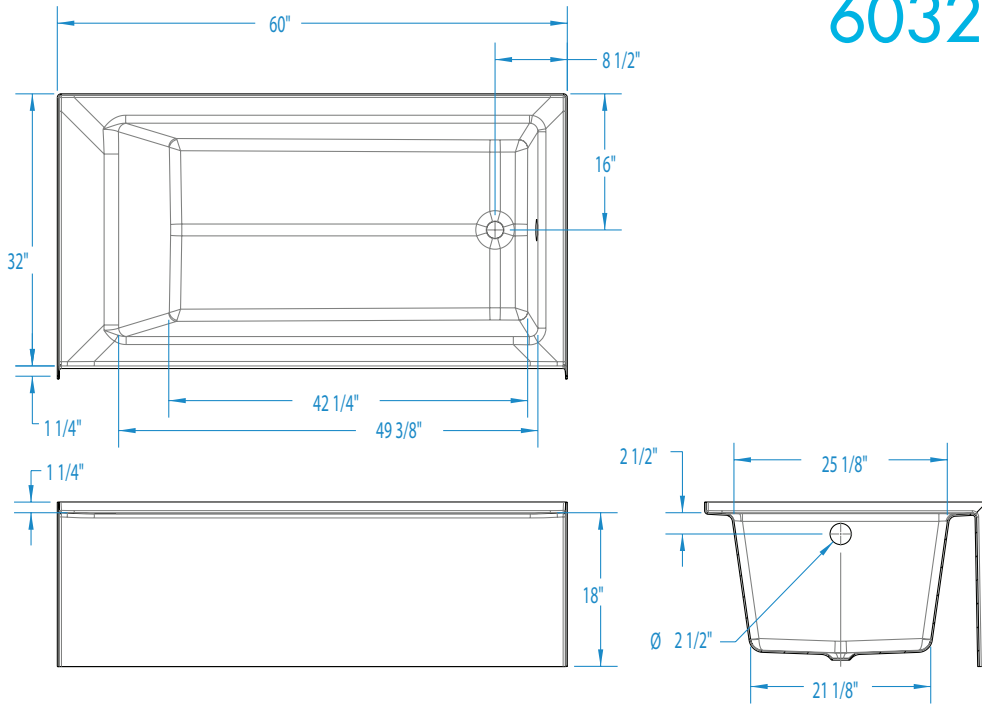
## COLOR OPTIONS

Stock	Upgraded	Premium
White (C)	Almond (NA) Linen/Biscuit (C) Bone (C)	Black (NA) Mexican Sand (NA) Sand Bar (NA) Sterling Silver (NA)



# 6032SMINWP

60 x 32 x 18  
inches



**FEATURES** lbs Dimensional Tolerance  $\pm \frac{3}{16}$ ". Dimensions needed for site preparation should be measured from the unit. Aquatic assumes no responsibility for preparatory work.

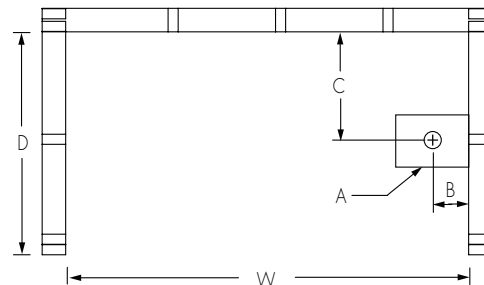
Model #	Material	Jets	Motor	Controls	Drain	Net Wt.	Pkg. Wt.
Soaker #6032SMIN	AcrylX™	0	—	—	LH or RH	48	53
Whirlpool #6032SMINWP	AcrylX™	6	63 GPM	Pneumatic	LH or RH	88	93

## DIMENSIONS

Specifications	inches
Width: Overall / Net	60
Depth: Overall / Net	33 1/4 / 32
Height: Overall / Net	19 1/4 / 18
Enclosure Opening	—
Skirt Height	18
Drain Rough-In (from Back Wall)	16
Drain Rough-In (from Side Wall)	2 7/8
Drain: Diameter / Clearance	2 / 3/4

## FRAMING DIMENSIONS inches

Type	D Depth	W Width	H Height	A	B	C
Alcove	33 1/4	60 1/8	19 1/4	Box Out	2 7/8	16



## SUMP DATA

Top of Drain to Bottom of Overflow	Capacity to Overflow gal	Min. Operating Capacity gal	WIDTH @ centerline		DEPTH @ centerline	
			Top	Bottom	Top	Bottom
12 1/2	52	35	49 3/8	42 1/4	25 1/8	21 1/8