

6034CS – A² COMPOSITE SHOWER

inches (mm)

60 x 34 x 76 (1525 x 865 x 1930) • Fax on Demand #1356

A² COMPOSITE

Lightweight and durable, our A² Composite is an engineered compound of resin, glass and special fillers formed into sheets. These sheets are then placed under high pressure and heat to liquify the compound, allowing it to flow and take the shape of almost any form imaginable. The results are simple, stylish and a snap to install.



FEATURES

- Durable high gloss finish
- Smooth wall, 4 piece molded sectionals
- Pre-Leveled base
- Caulkless Installation
- Leakproof right angle joint flanges
- Easy Wedge & Lock Installation
- Multiple integral soap shelves
- Center drain
- Slip resistant, textured bottom
- Available with Age-in-Place backing
- Available in White and Biscuit
- 15-year residential limited warranty

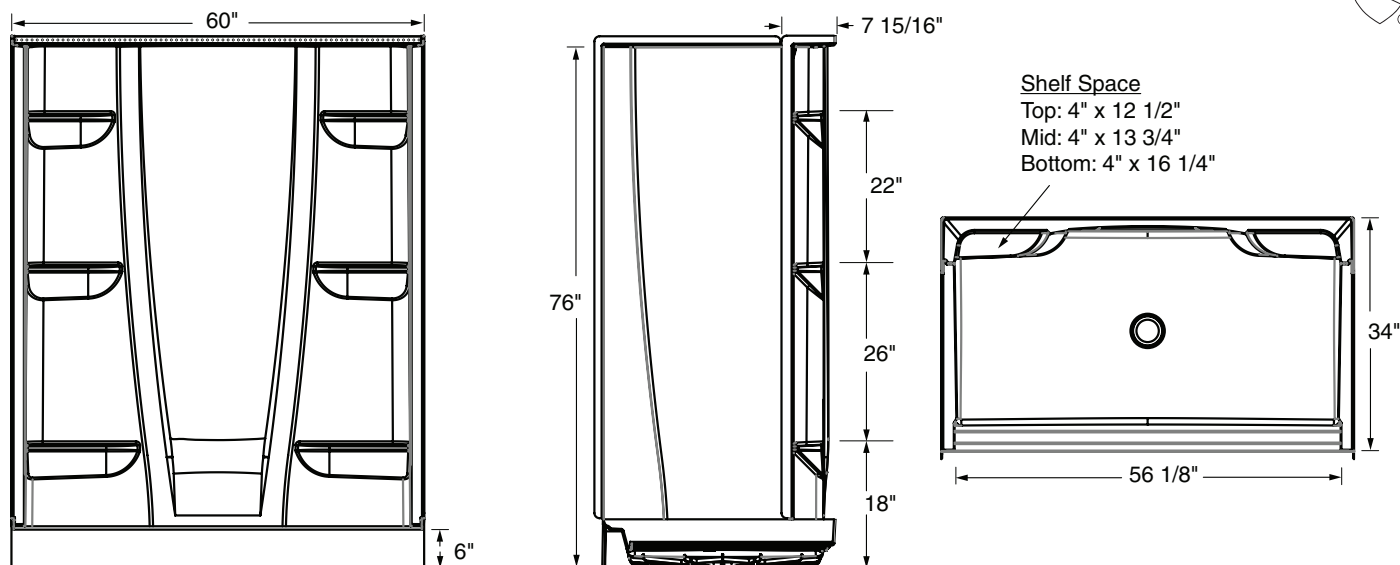
AQUATIC ADVANTAGE

- National distribution
- 6 manufacturing facilities
- Private fleet
- Centralized customer service
- Field support
- 24-hour fax-on-demand



6034CS

60 x 34 x 76 (1525 x 865 x 1930)
inches (mm)



FEATURES lbs (kg) Dimensional Tolerance $\pm \frac{3}{8}$ ". Dimensions needed for site preparation should be measured from the unit. Aquatic assumes no responsibility for preparatory work.

Model #	Material	Wall Finish	Pieces	Drain	Seat	Net Wt.	Pkg. Wt.
Shower #6034CS	Composite	Smooth	4	Center	-	135 (61)	143 (65)

DIMENSIONS

Specifications	inches (mm)
Width: Overall / Net	60 (1525)
Depth: Overall / Net	35 1/8 (890) / 34 (865)
Height: Overall / Net	77 3/8 (1965) / 76 (1930)
Enclosure Opening	56 1/8 (1425)
Skirt Height	6 (150)
Drain Rough-In (from Back Wall)	16 1/2 (420)
Drain Rough-In (from Side Wall)	30 (760)
Drain: Diameter / Clearance	3 1/4 (85) / 3/8 (10)

FRAMING DIMENSIONS inches (mm)

Type	D Depth	W Width	H Height	A	B	C
Alcove	35 1/8 (890)	60 (1525)	-	Box Out	30 (760)	16 1/2 (420)

