

6036CTM- A² COMPOSITE TUB

inches

60 x 36 x 21

A² COMPOSITE

Lightweight and durable, our A² Composite is an engineered compound of resin, glass and special fillers formed into sheets. These sheets are then placed under high pressure and heat to liquify the compound, allowing it to flow and take the shape of almost any form imaginable. The results are simple, stylish and a snap to install.



FEATURES

- Above-floor rough (AFR)
- Pre-Leveled base
- Slip resistant, textured bottom
- Available in White and Biscuit only
- Left, right drain
- Durable high gloss finish
- 15-year residential limited warranty

AQUATIC ADVANTAGE

- National distribution
- 6 manufacturing facilities
- Private fleet
- Centralized customer service
- Field support



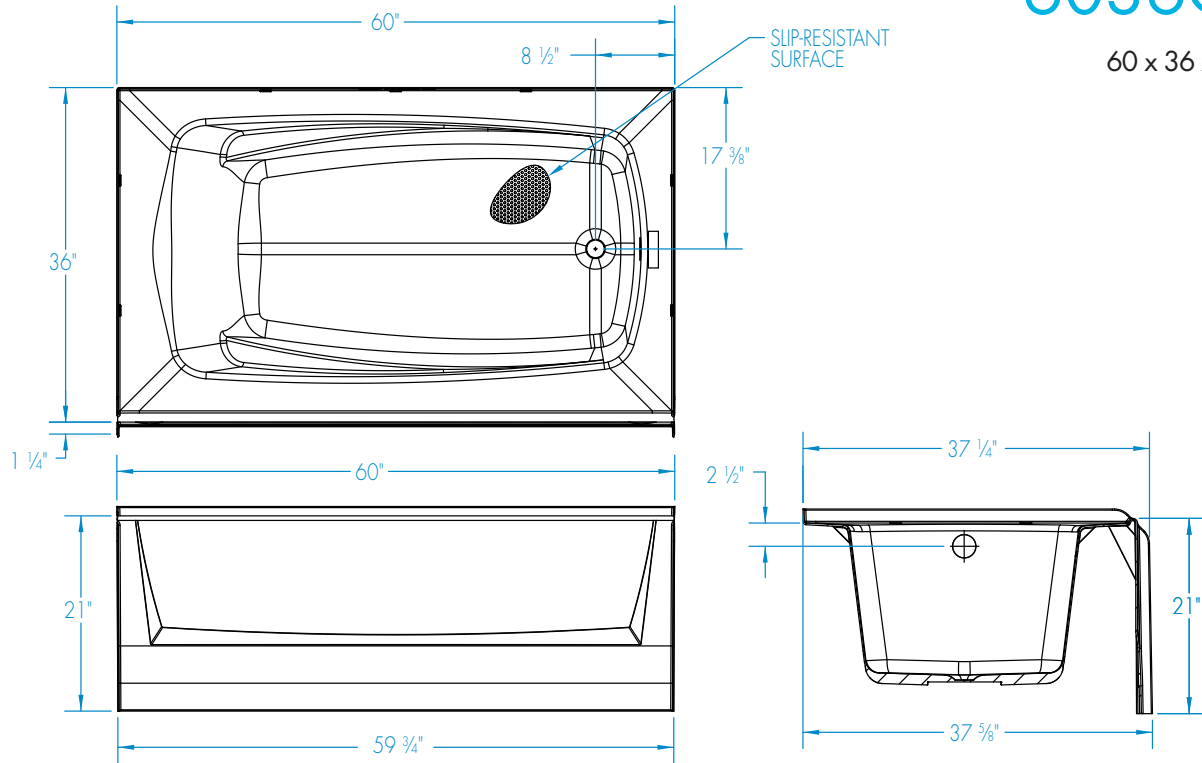
AQUATIC

The bath people



6036CTM

60 x 36 x 21 inches



FEATURES lbs Dimensional Tolerance $\pm 3/16"$. Dimensions needed for site preparation should be measured from the unit. Aquatic assumes no responsibility for preparatory work.

Model #	Material	Jets	Motor	Controls	Drain	Net Wt.	Pkg. Wt.
Soaker #6036CTM	A ² Composite	-	-	-	LH or RH	71	76

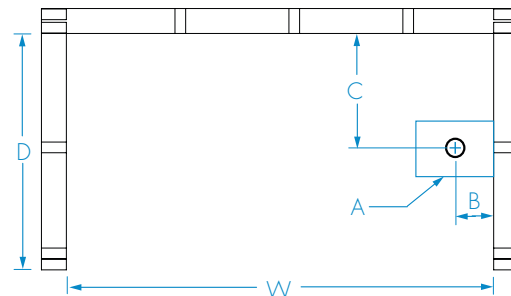
DIMENSIONS

Specifications	inches
Width: Overall / Net	60
Depth: Overall / Net	37 1/4 / 36
Height: Overall / Net	22 1/2 / 21
Enclosure Opening	-
Skirt Height	21
Drain Rough-In (from Back Wall)	17 3/8
Drain Rough-In (from Side Wall)	2
Drain: Diameter / Clearance	2 / 3 1/2

FRAMING DIMENSIONS

 inches

Type	D Depth	W Width	H Height	A	B	C
Alcove	37 1/4	60	22 1/2	Box Out	2	17 3/8



SUMP DATA

Top of Drain to Bottom of Overflow	Capacity to Overflow gal	Min. Operating Capacity gal	WIDTH @ centerline		DEPTH @ centerline	
			Top	Bottom	Top	Bottom
12 5/8	52	-	50 1/2	42 5/8	27 3/8	22 3/8