

# 6036DMINWP – EVERYDAY BATHS

60 x 36 x 19 inches

SOAKER MODEL #6036DMIN

WHIRLPOOL MODEL #6036DMINWP



## FEATURES

- Island bath
- Deep bathing well
- Ergonomic backrest
- Slip-resistant textured bottom
- Universal drain
- AcrylX™ applied acrylic surface
- Lifetime limited warranty

### *Whirlpool Features:*

- 6 directional hydrotherapy jets
- Pneumatic on/off control
- Advanced safety suction system

## OPTIONS

- Designer drain, waste & overflow

## AQUATIC ADVANTAGE

- National distribution
- 6 manufacturing facilities
- Private fleet
- Centralized customer service
- Field support

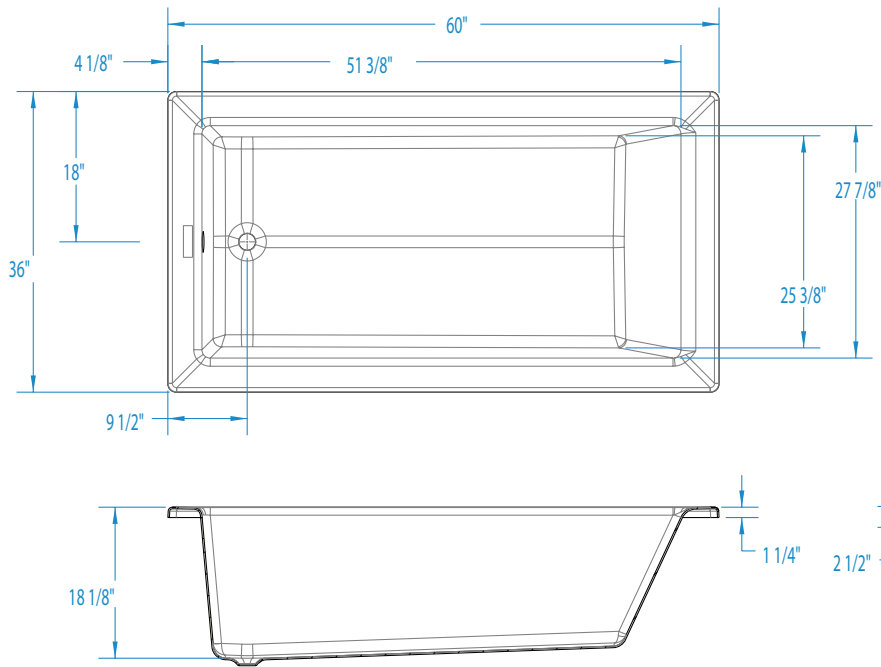
## COLOR OPTIONS

Stock	Upgraded	Premium
White (C)	Almond (NA) Linen/Biscuit (C) Bone (C)	Black (NA) Mexican Sand (NA) Sand Bar (NA) Sterling Silver (NA)



# 6036DMINWP

60 x 36 x 19  
inches



**FEATURES** lbs Dimensional Tolerance  $\pm \frac{3}{16}$ ". Dimensions needed for site preparation should be measured from the unit. Aquatic assumes no responsibility for preparatory work.

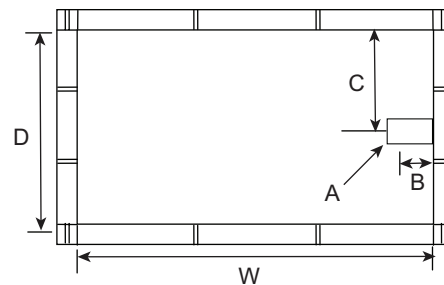
Model #	Material	Jets	Motor	Controls	Drain	Net Wt.	Pkg. Wt.
Soaker #6036DMIN	AcrylX™	0	–	–	Universal	49	54
Whirlpool #6036DMINWP	AcrylX™	6	63 GPM	Pneumatic	Universal	89	94

## DIMENSIONS

Specifications	inches
Width: Overall / Net	60
Depth: Overall / Net	36 / 36
Height: Overall / Net	19
Enclosure Opening	–
Skirt Height	
Drain Rough-In (from Back Wall)	17
Drain Rough-In (from Side Wall)	2
Drain: Diameter / Clearance	2 / N/A

## FRAMING DIMENSIONS inches

Type	D Depth	W Width	H Height	A	B	C
Island (Drop-In)	34	58	17 3/4	Box Out	2	17



## SUMP DATA

Top of Drain to Bottom of Overflow	Capacity to Overflow gal	Min. Operating Capacity gal	WIDTH @ centerline		DEPTH @ centerline	
			Top	Bottom	Top	Bottom
14 1/2	70	44	51 3/8	43	27 7/8	25 3/8