

6042CTS2 – A² COMPOSITE TUB/SHOWER

inches (mm)

60 x 42 x 79 (1525 x 1070 x 2010)

A² COMPOSITE

Lightweight and durable, our A² Composite is an engineered compound of resin, glass and special fillers formed into sheets. These sheets are then placed under high pressure and heat to liquify the compound, allowing it to flow and take the shape of almost any form imaginable. The results are simple, stylish and a snap to install.



FEATURES

- Durable high gloss finish
- Smooth wall, 4 piece molded sectionals
- Pre-Levelled base
- Caulkless Installation
- Leakproof right angle joint flanges
- Easy Wedge & Lock Installation
- Multiple integral soap shelves
- Left, right drain
- Slip resistant, textured bottom
- Available in White and Biscuit
- 15-year residential limited warranty

AQUATIC ADVANTAGE

- National distribution
- 6 manufacturing facilities
- Private fleet
- Centralized customer service
- Field support



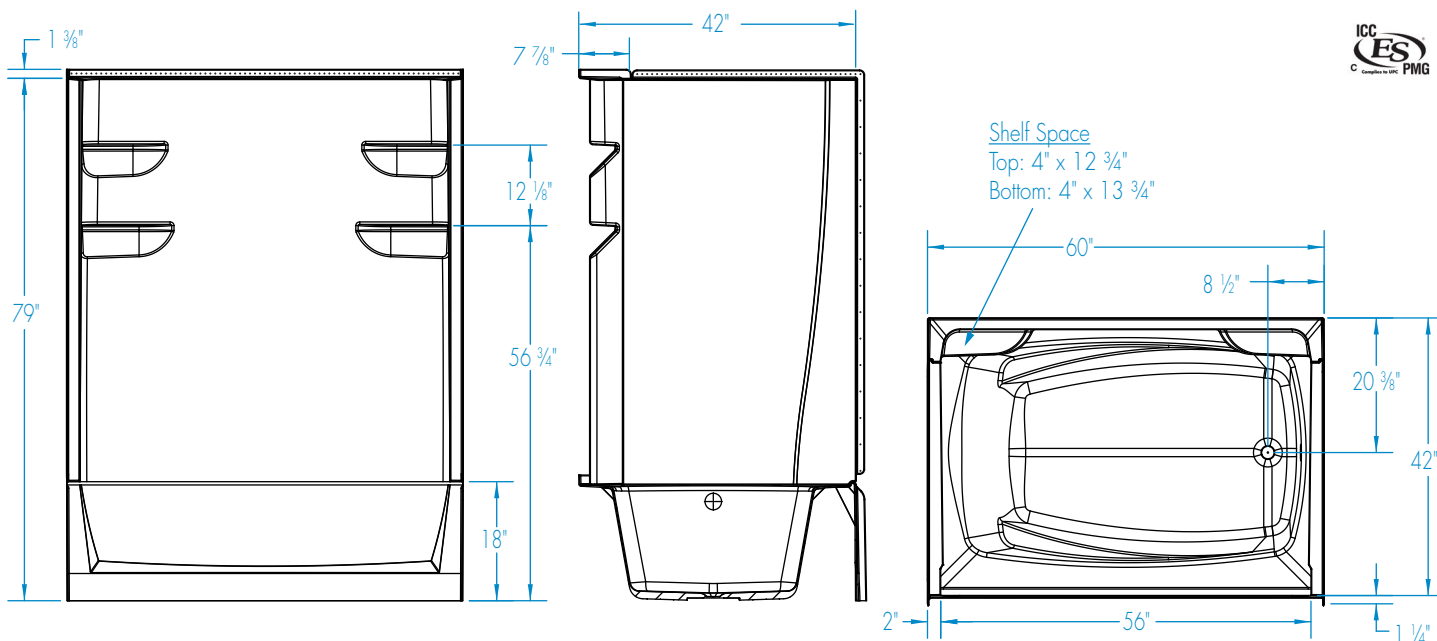
AQUATIC

The bath people



6042CTS2

60 x 42 x 79 (1525 x 1070 x 2010)
inches (mm)



FEATURES lbs (kg) Dimensional Tolerance $\pm \frac{3}{16}$ ". Dimensions needed for site preparation should be measured from the unit. Aquatic assumes no responsibility for preparatory work.

Model #	Material	Jets	Motor	Controls	Drain	Net Wt.	Pkg. Wt.
Tub-Shower #6042CTS2	Composite	-	-	-	LH or RH	138 (63)	146 (66)

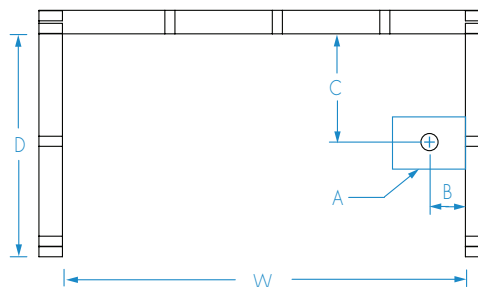
DIMENSIONS

Specifications	inches (mm)
Width: Overall / Net	60 (1525)
Depth: Overall / Net	43 1/4 (1100) / 42 (1070)
Height: Overall / Net	80 3/8 (2040) / 79 (2010)
Enclosure Opening	56 (1420)
Skirt Height	18 (460)
Drain Rough-In (from Back Wall)	20 3/8 (520)
Drain Rough-In (from Side Wall)	2 (50)
Drain: Diameter / Clearance	2 (50) / 1/2 (15)

FRAMING DIMENSIONS

 inches (mm)

Type	D Depth	W Width	H Height	A	B	C
Alcove	43 1/4 (1100)	60 (1525)	80 3/8 (2040)	Box Out	2 (50)	20 3/8 (520)



SUMP DATA

Top of Drain to Bottom of Overflow	Capacity to Overflow gal (litr)	WIDTH @ centerline		DEPTH @ centerline	
		Top	Bottom	Top	Bottom
12 3/8 (320)	65 (245)	51 3/8 (1310)	43 1/2 (1105)	33 3/8 (855)	26 3/4 (680)