

7236DMINWP – EVERYDAY BATHS

72 x 36 x 19 inches

SOAKER MODEL #7236DMIN

WHIRLPOOL MODEL #7236DMINWP



FEATURES

- Island bath
- Deep bathing well
- Ergonomic backrest
- Slip-resistant textured bottom
- Universal drain
- AcrylX™ applied acrylic surface
- Lifetime limited warranty

Whirlpool Features:

- 6 directional hydrotherapy jets
- Pneumatic on/off control
- Advanced safety suction system

OPTIONS

- Designer drain, waste & overflow

AQUATIC ADVANTAGE

- National distribution
- 6 manufacturing facilities
- Private fleet
- Centralized customer service
- Field support

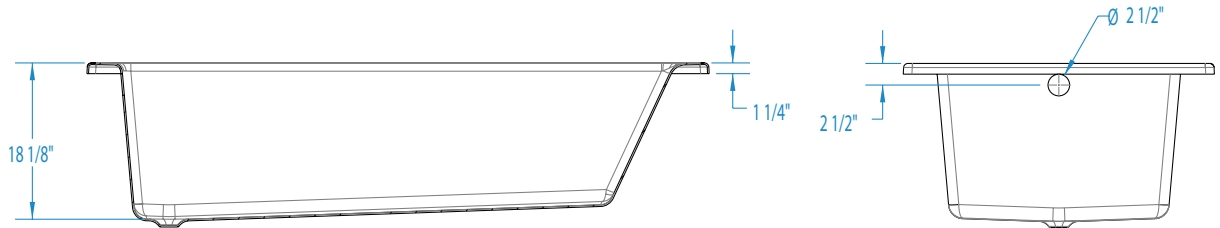
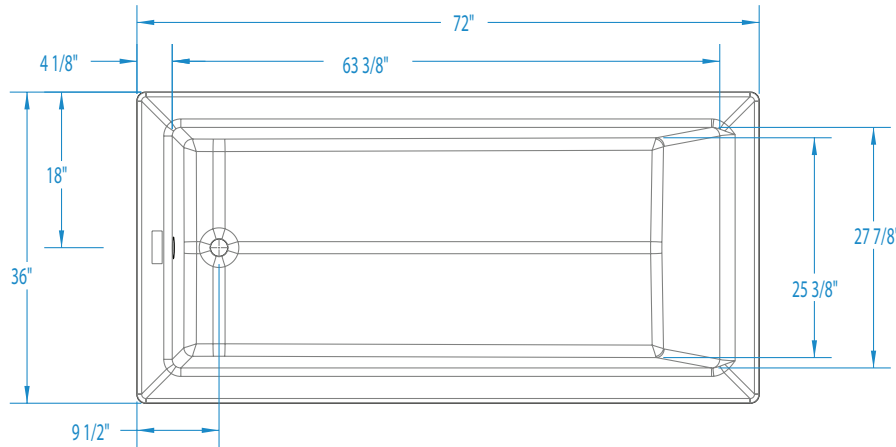
COLOR OPTIONS

| Stock | Upgraded | Premium |
|-----------|--|--|
| White (C) | Almond (NA) Linen/Biscuit (C) Bone (C) | Black (NA) Mexican Sand (NA) Sand Bar (NA) Sterling Silver (NA) |



7236DMINWP

72 x 36 x 19 inches



FEATURES lbs Dimensional Tolerance $\pm \frac{3}{16}$ ". Dimensions needed for site preparation should be measured from the unit. Aquatic assumes no responsibility for preparatory work.

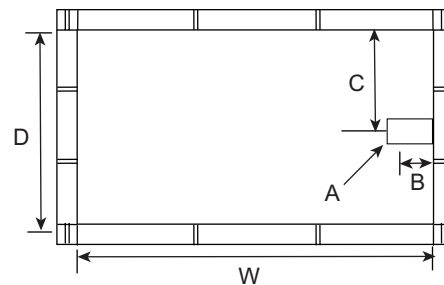
| Model # | Material | Jets | Motor | Controls | Drain | Net Wt. | Pkg. Wt. |
|-----------------------|----------|------|--------|-----------|-----------|---------|----------|
| Soaker #7236DMIN | AcrylX™ | 0 | – | – | Universal | 56 | 61 |
| Whirlpool #7236DMINWP | AcrylX™ | 6 | 63 GPM | Pneumatic | Universal | 96 | 145 |

DIMENSIONS

| Specifications | inches |
|---------------------------------|---------|
| Width: Overall / Net | 72 |
| Depth: Overall / Net | 36 / 36 |
| Height: Overall / Net | 19 |
| Enclosure Opening | – |
| Skirt Height | |
| Drain Rough-In (from Back Wall) | 17 |
| Drain Rough-In (from Side Wall) | 2 |
| Drain: Diameter / Clearance | 2 / N/A |

FRAMING DIMENSIONS inches

| Type | D Depth | W Width | H Height | A | B | C |
|---------------------|------------|------------|-------------|---------|---|----|
| Island (Drop-In) | 34 | 70 | 17 ¾ | Box Out | 2 | 17 |



SUMP DATA

| Top of Drain to Bottom of Overflow | Capacity to Overflow gal | Min. Operating Capacity gal | WIDTH @ centerline | | DEPTH @ centerline | |
|---------------------------------------|--------------------------------|-----------------------------------|--------------------|--------|--------------------|--------|
| | | | Top | Bottom | Top | Bottom |
| 14 ½ | 88 | 51 | 63 ¾ | 55 ¼ | 27 ⅞ | 25 ⅞ |