

66 x 35 ¼ x 24 ⅞ inches



### FEATURES ~

- Ergonomic bathing well
- Extended skirt for above-floor plumbing
- Removable access panels (whirlpool models)
- Sculpted armrests
- Stepped integral 3T flange
- Pre-leveled wood base
- Slip resistant floor
- Premium cast acrylic surface
- Limited 10-year warranty

\* Note: Availability of individual models varies by Regional Servicing Plant. Please consult your price list and/or A/B model list for availability in your area.

### COLOR OPTIONS

Stock	Upgraded
White	Biscuit

### AVAILABLE SYSTEM

#### WHIRLPOOL

- Pneumatic on/off control
- 8 hydrotherapy jets
  - High-flow directional jets
  - Low-profile spinning micro-jets
- Whirlpool pump
- Safety suction system

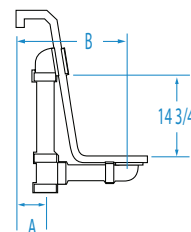
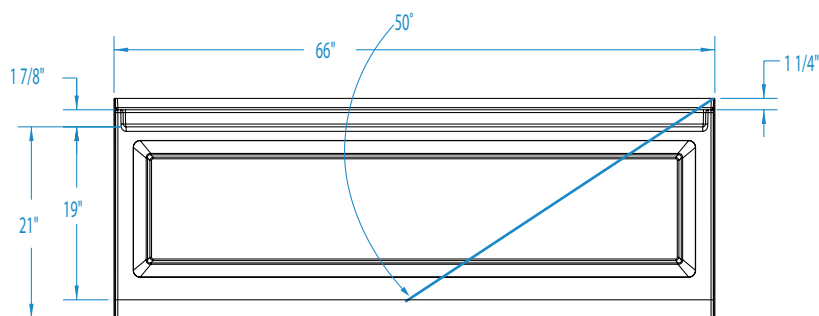
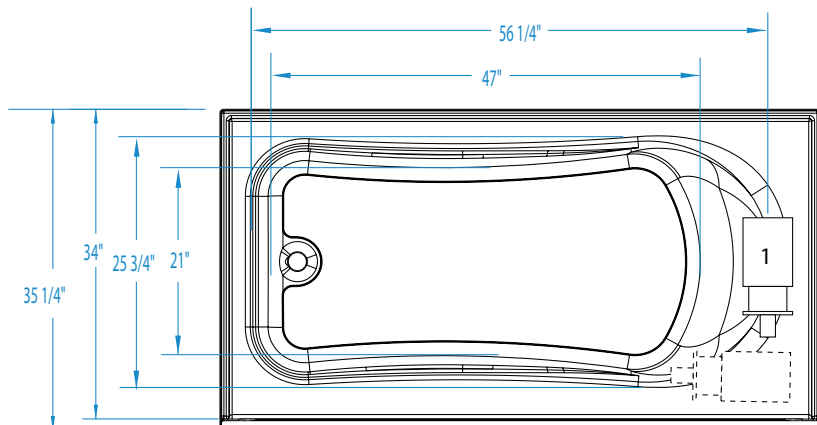


# VINCENZO Q

66 x 35 1/4 x 24 1/8 inches



AFR allows for above the floor installation of waste, overflow and drainage. This unit is standard as AFR. Optional cut skirt available.



## FEATURES

Dimensional Tolerance  $\pm 3/8"$ . Dimensions needed for site preparation should be measured from the unit. Aquatic assumes no responsibility for preparatory work.

Type and Model #	Material	Jets	Pump	Heater	Controls	Drain	Pkg. Wt. lbs
Soaker #9866600Q	Cast Acrylic	0	-	-	-	LH or RH	116
Whirlpool #9866601Q	Cast Acrylic	8	63 GPM	1.5kW inline (optional)	Pneumatic	LH or RH	166

## DIMENSIONS inches

Width Overall / Net	Depth Overall / Net	Height Overall / Net	Skirt Height
66	35 1/4 / 34	24 1/8 / 22 7/8	21

## SUMP DATA inches

Capacity to Overflow gal	Min. Operat- ing Capacity gal	WIDTH @ centerline		DEPTH @ centerline	
		Top	Bottom	Top	Bottom
64	41	56 1/4	47	25 3/4	21

## PLUMBING DIMENSIONS inches

A	B	Drain to Overflow	Drain Diameter / Clearance
2	8 1/2	14 3/4	2 / 3 1/4

## ELECTRICAL DATA

Component	Specification	Requirement
Pump	5 AMP; 120 V	15 AMP; 120V, separate circuit; Class A GFCI
Optional Heater (whirlpool model)	1.5KW; 12 AMP; 120 V	15 AMP; 120V, separate circuit; Class A GFCI

### NOTES:

1) Where applicable, utilize cut-out templates packed with unit for deck cutouts.

2) 16 x 16 minimum access required at pump/blower location(s).