

W4242APANB

SHOWER BASES

42 x 42 x 6 inches



Shown with optional brass drain assembly.



FEATURES

- Extended integral tile flange (3T)
- Slip-resistant, textured bottom
- Threshold water barrier
- Patented design features:
 - corner drainage channels
 - step-design finishing guides
 - extended nailing flange
- Premium cast acrylic surface
- 5-year limited warranty

BASE TYPE	DRAIN	MODEL #	MSLP
<input type="checkbox"/> Shower Base	Center	W4242APANB	\$962

OPTIONS (x = insert desired option code)	ENTER DESIRED OPTION CODE	MSLP
Cast acrylic stock color (COLxx): White (WH)	_____	No charge
Cast acrylic color upgrade (COLxx): Biscuit (BI)	_____	\$35
Cast acrylic premium color upgrade (COLUxx): Black (BK) Sterling Silver (ST)	_____	\$389
Sure-fit brass drain (BDSF)	_____	\$32
Residential delivery* (DELRD)	_____	\$205
Residential delivery with lift gate* (DELLG)	_____	\$454

*For program terms and conditions, see page iii.

BASE PRICE (insert MSLP of base model selected in upper table)	+ \$ _____
OPTIONS SUB TOTAL	\$ _____
ORDER TOTAL	= \$ _____

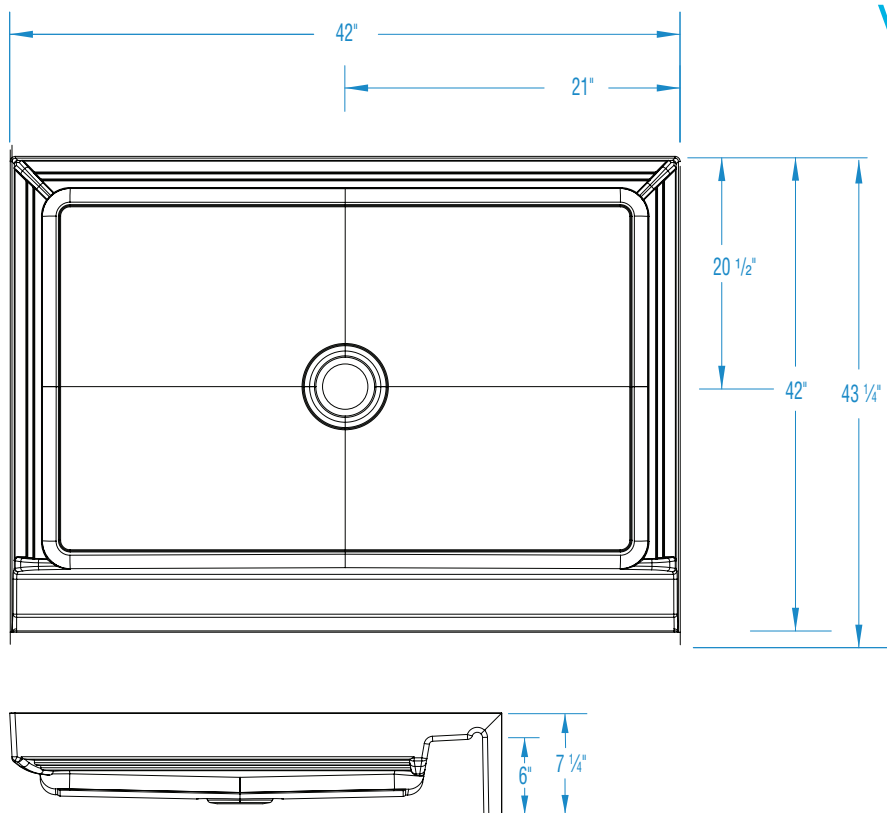
Customer Name: _____ Date: _____

Additional Information:

Rev. 11.10.17

W4242APANB

42 x 42 x 6 inches



FEATURES

Dimensional Tolerance $\pm \frac{3}{8}$ ". Dimensions needed for site preparation should be measured from the unit. Aquatic assumes no responsibility for preparatory work.

Model #	Material	Drain	Net Wt.	Pkg. Wt. lbs.
Shower Base #W4242APANB	Cast Acrylic	Center	31	101

DIMENSIONS

Specifications	inches
Width: Net	42
Depth: Net	42
Height: Net	6
Enclosure Opening	-
Skirt Height	6
Drain Rough-In (from Back Wall)	20 1/2
Drain Rough-In (from Side Wall)	21
Drain: Diameter / Clearance	3 1/4 / 3/4

FRAMING DIMENSIONS inches

Type	D Depth	W Width	H Height	A Box Out	B	C
Alcove	43 1/4	42 1/8	-	6	21	20 1/2

