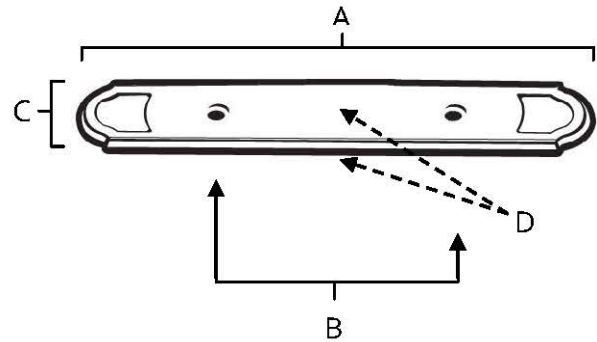


SPECIFICATIONS

**CLASSIC
TRADITIONAL
BACKPLATES FOR PULLS**



FEATURES

- Traditional styling
- Multiple finishes
- Concealed installation

WARRANTY

Limited lifetime

FINISHES

- Polished Brass (PB)
- Polished Chrome (PC)
- Antique English (AE)
- Antique English Matte (AEM)
- Barcelona (BARC)
- Bronze (BRZ)
- Chocolate Bronze (CHBRZ)
- Polished Antique (PA)
- Polished Nickel (PN)
- Satin Nickel (SN)

MATERIAL

Brass

Item#	A	B	C	D
A1568-3	7 3/4"	3"	1 1/4"	3/16"
• for A1566-3				
A1569-35	7 3/4"	3 1/2"	1 1/4"	3/16"
• for A1567-35				

KEY:

- A - Length
- B - Center to Center
- C - Width
- D - Projection

NOTE: Dimensions and specifications are subject to change without notice.