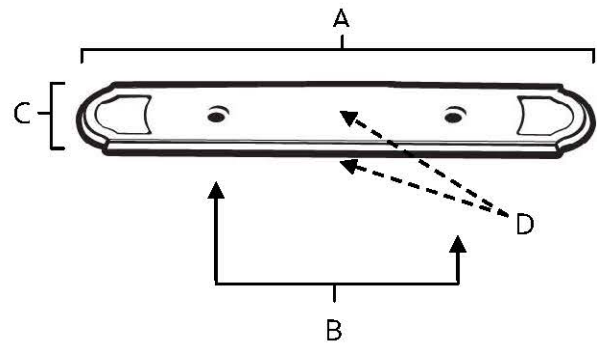


SPECIFICATIONS

**CLASSIC
TRADITIONAL
BACKPLATES FOR PULLS**



FEATURES

- Traditional styling
- Multiple finishes
- Concealed installation

WARRANTY

Limited lifetime

FINISHES

- Polished Brass (PB)
- Polished Chrome (PC)
- Antique English (AE)
- Antique English Matte (AEM)
- Barcelona (BARC)
- Bronze (BRZ)
- Chocolate Bronze (CHBRZ)
- Polished Antique (PA)
- Polished Nickel (PN)
- Satin Nickel (SN)

MATERIAL

Brass

| Item# | A | B | C | D |
|-----------------|--------|--------|--------|-------|
| A1568-3 | 7 3/4" | 3" | 1 1/4" | 3/16" |
| • for A1566-3 | | | | |
| A1569-35 | 7 3/4" | 3 1/2" | 1 1/4" | 3/16" |
| • for A1567-35 | | | | |

KEY:

- A - Length
- B - Center to Center
- C - Width
- D - Projection

NOTE: Dimensions and specifications are subject to change without notice.