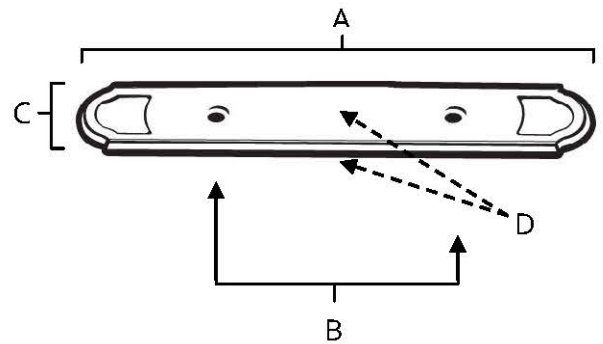


**SPECIFICATIONS**

**CLASSIC  
TRADITIONAL  
BACKPLATES FOR PULLS**



**FEATURES**

- Traditional styling
- Multiple finishes
- Concealed installation

**WARRANTY**

Limited lifetime

**FINISHES**

- Polished Brass (PB)
- Polished Chrome (PC)
- Antique English (AE)
- Antique English Matte (AEM)
- Barcelona (BARC)
- Bronze (BRZ)
- Chocolate Bronze (CHBRZ)
- Polished Antique (PA)
- Polished Nickel (PN)
- Satin Nickel (SN)

**MATERIAL**

Brass

Item#	A	B	C	D
<b>A1568-3</b>	7 3/4"	3"	1 1/4"	3/16"
• for A1566-3				
<b>A1569-35</b>	7 3/4"	3 1/2"	1 1/4"	3/16"
• for A1567-35				

**KEY:**

- A - Length
- B - Center to Center
- C - Width
- D - Projection

NOTE: Dimensions and specifications are subject to change without notice.