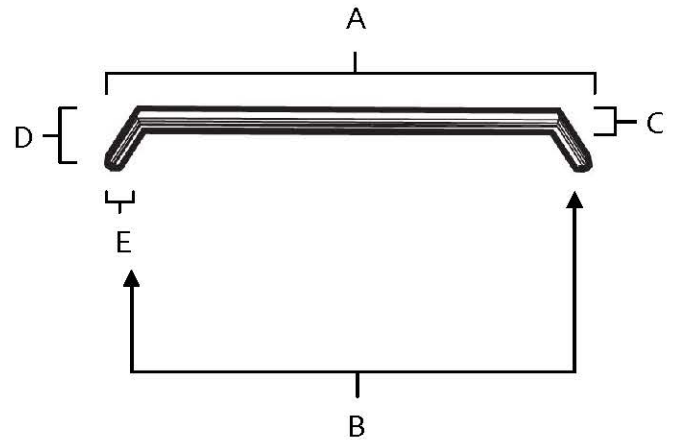


SPECIFICATIONS

**NICOLE
PULLS**



FEATURES

- Modern styling
- Multiple finishes
- Concealed installation

WARRANTY

Limited lifetime

FINISHES

- Polished Brass (PB)
- Polished Chrome (PC)
- Antique English Matte (AEM)
- Barcelona (BARC)
- Bronze (BRZ)
- Chocolate Bronze (CHBRZ)
- Polished Nickel (PN)
- Satin Nickel (SN)

MATERIAL

Brass

Item#	A	B	C	D	E
A427-3	3 5/8"	3"	1/2"	1"	1/2"
A427-35	4 1/8"	3 1/2"	1/2"	1"	1/2"
A427-4	4 5/8"	4"	1/2"	1"	1/2"
A427-6	6 5/8"	6"	5/8"	1 1/8"	1/2"
A427-8	8 5/8"	8"	3/4"	1 1/4"	1/2"

KEY:

- A - Overall Length
- B - Center to Center
- C - Handle Width
- D - Projection
- E - Mount Length

NOTE: Dimensions and specifications are subject to change without notice.