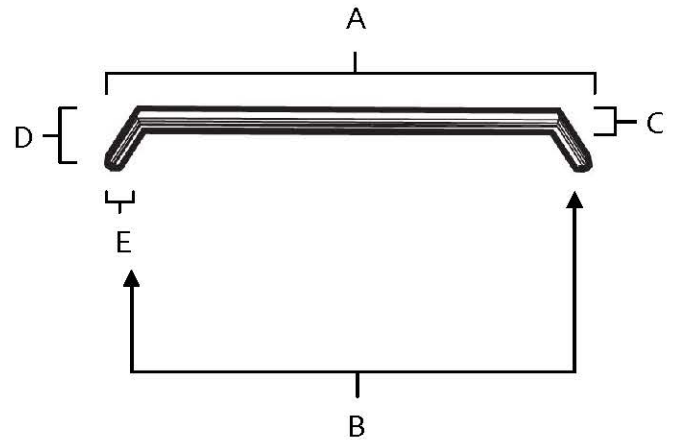


SPECIFICATIONS

**NICOLE
PULLS**



FEATURES

- Modern styling
- Multiple finishes
- Concealed installation

WARRANTY

Limited lifetime

FINISHES

- Polished Brass (PB)
- Polished Chrome (PC)
- Antique English Matte (AEM)
- Barcelona (BARC)
- Bronze (BRZ)
- Chocolate Bronze (CHBRZ)
- Polished Nickel (PN)
- Satin Nickel (SN)

MATERIAL

Brass

| Item# | A | B | C | D | E |
|---------|--------|--------|------|--------|------|
| A427-3 | 3 5/8" | 3" | 1/2" | 1" | 1/2" |
| A427-35 | 4 1/8" | 3 1/2" | 1/2" | 1" | 1/2" |
| A427-4 | 4 5/8" | 4" | 1/2" | 1" | 1/2" |
| A427-6 | 6 5/8" | 6" | 5/8" | 1 1/8" | 1/2" |
| A427-8 | 8 5/8" | 8" | 3/4" | 1 1/4" | 1/2" |

KEY:

- A - Overall Length
- B - Center to Center
- C - Handle Width
- D - Projection
- E - Mount Length

NOTE: Dimensions and specifications are subject to change without notice.