

# "Creations" by ALNO, INC.

## INSTALLATION INSTRUCTIONS

MODEL:

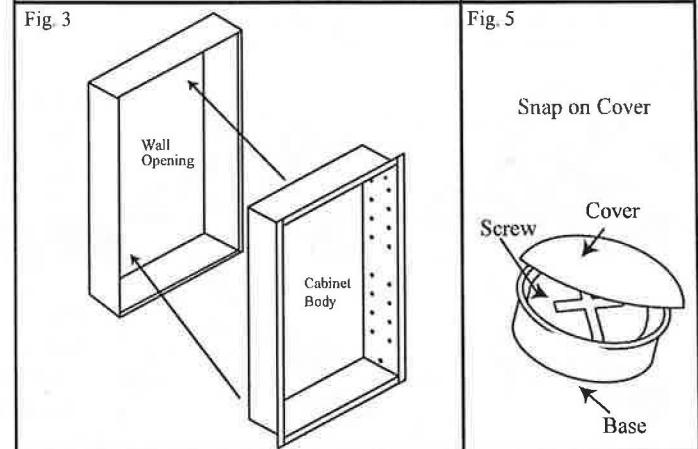
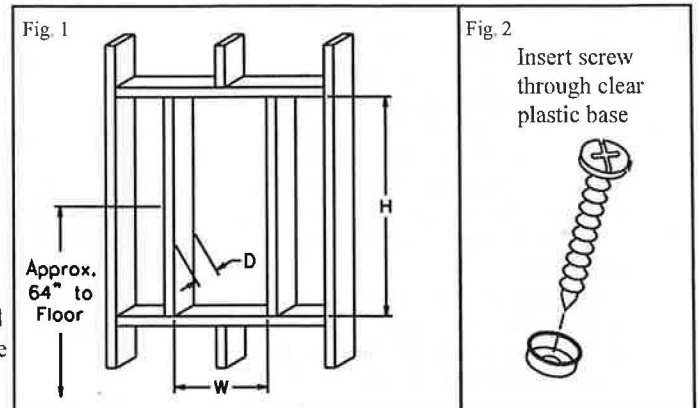
MC10244,	MC10246
MC11244,	MC11246
MC20244,	MC20246
MC21244,	MC21246
MC30244,	MC30246
*MC4550,	*MC4550-1
*MC4552,	*MC4552-1
MC20254-WH,	MC20254-SS

RECESSED MOUNTED,  
STEEL & STAINLESS STEEL BATH CABINETS

MODEL NO.	WALL OPENING			OVERALL SIZE		
	W	H	D	W	H	D
MC10244	14 1/4	24	4	15	25	5
MC10246	14 1/4	24	6	15	25	7
MC11244	14 1/4	24	4	15	25	5
MC11246	14 1/4	24	6	15	25	7
MC20244	14 1/4	24	4	15	25	5
MC20246	14 1/4	24	6	15	25	7
MC21244	14 1/4	24	4	15	25	5
MC21246	14 1/4	24	6	15	25	7
MC30244	14 1/4	24	4	15	25	5
MC30246	14 1/4	24	6	15	25	7
MC4550	14 1/4	24	4	15	25	5
MC4550-1	14 1/4	24	4	15	25	5
MC4552	14 1/4	24	6	15	25	7
MC4552-1	14 1/4	24	6	15	25	7
MC20254	19 1/4	24	4	20	25	5

### INSTALLATION of CABINET

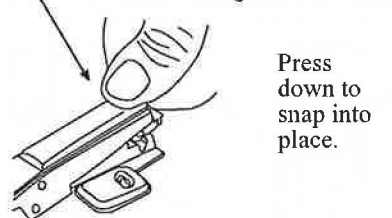
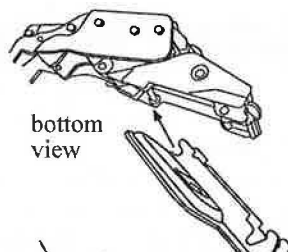
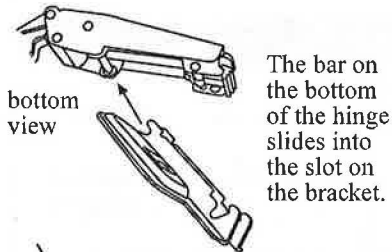
- Carefully remove all packing material. Place hardware packages, shelves, and door aside until needed.
- Determine desired location of cabinet on wall. Mark wall to show wall opening size (see dimension chart). Generally, the recommended height to the center of the cabinet is 64" from the floor. (Figure 1)
- CAUTION:** Wall studs, plumbing or electrical lines that interfere must be removed or relocated. Cut wall opening, being careful not to damage the surrounding wall surface. Insert framing to support all plaster board edges.
- Prepare the mounting screws by placing the screws into the clear plastic bases. (Figure 2)
- NOTE:** For ease of installation, an additional person is recommended. Insert cabinet into wall opening. (Figure 3). Ensure the cabinet is plumb and level. If necessary use a carpenter's level and shim corners of cabinet. Secure to wall studs through the four (4) mounting holes inside cabinet, using the screws that have been placed into the plastic bases. (Figure 4) Do not over tighten the mounting screws as body side wall may bend and prevent shelf installation. Only tighten screws until they are flush with the body.
- Snap the screw covers over the screw bases. (Figure 5)



### FAMILIARIZE YOURSELF WITH HINGE PRIOR TO MOUNTING.

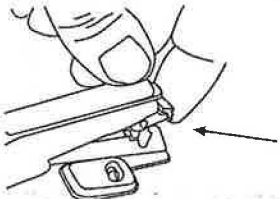
125 Degree Hinge

170 Degree Hinge



Press down to snap into place.

### TO REMOVE HINGE



Press in lever, then lift up on clip to release hinge.

