

"Creations"

by ALNO, INC.

MODEL:

- | | |
|----------|-----------|
| MC10344, | MC10346 |
| MC11344, | MC11346 |
| MC20344, | MC20346 |
| MC21244, | MC21246 |
| MC30344, | MC30346 |
| *MC4555, | *MC4555-1 |
| *MC4557, | *MC4557-1 |
| *MC4570 | |

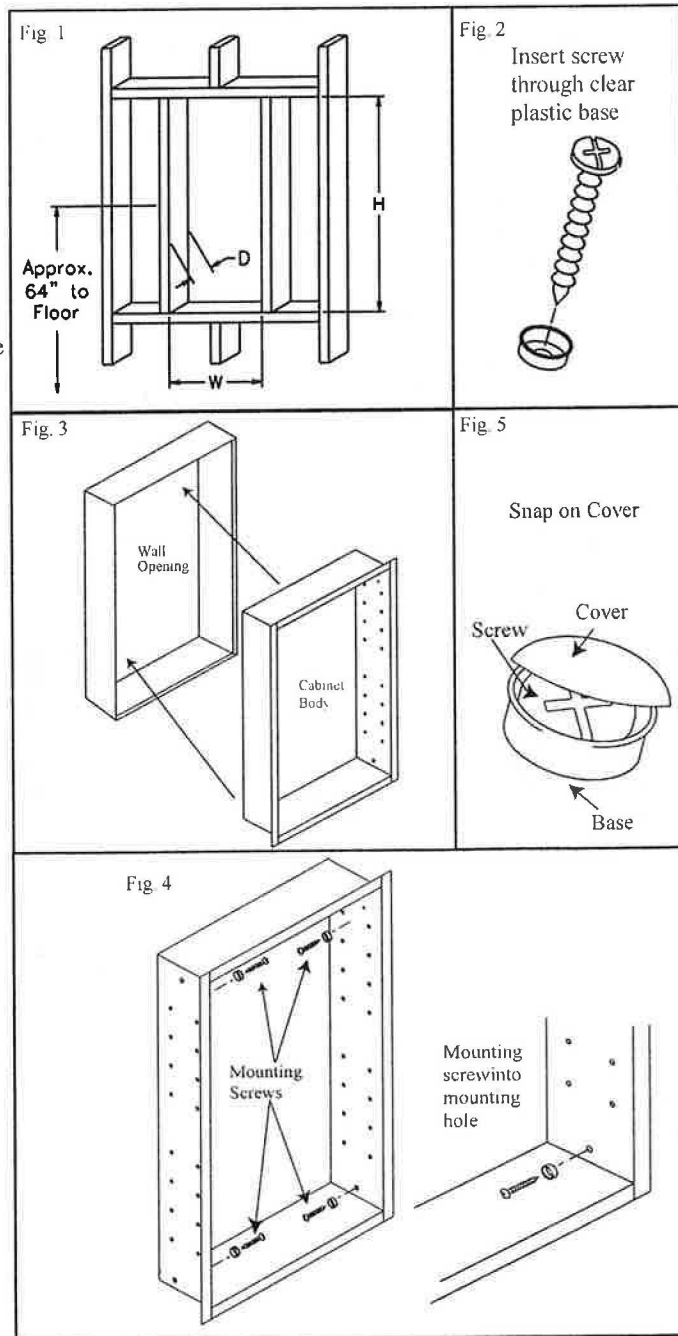
RECESSED MOUNTED.
STEEL & STAINLESS STEEL BATH CABINETS

INSTALLATION INSTRUCTIONS

MODEL NO.	WALL OPENING			OVERALL SIZE		
	W	H	D	W	H	D
MC10344	14 1/4	34	4	15	35	5
MC10346	14 1/4	34	6	15	35	7
MC11344	14 1/4	34	4	15	35	5
MC11346	14 1/4	34	6	15	35	7
MC20344	14 1/4	34	4	15	35	5
MC20346	14 1/4	34	6	15	35	7
MC21344	14 1/4	34	4	15	35	5
MC21346	14 1/4	34	6	15	35	7
MC30344	14 1/4	34	4	15	35	5
MC30346	14 1/4	34	6	15	35	7
MC4555	14 1/4	34	4	15	35	5
MC4555-1	14 1/4	34	4	15	35	5
MC4557	14 1/4	34	6	15	35	7
MC4557-1	14 1/4	34	6	15	35	7
MC4570	23 1/4	29	4	24	30	5

INSTALLATION of CABINET

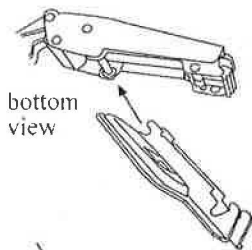
- Carefully remove all packing material. Place hardware packages, shelves, and door aside until needed.
- Determine desired location of cabinet on wall. Mark wall to show wall opening size (see dimension chart). Generally, the recommended height to the center of the cabinet is 64" from the floor. (Figure 1)
- CAUTION:** Wall studs, plumbing or electrical lines that interfere must be removed or relocated. Cut wall opening, being careful not to damage the surrounding wall surface. Insert framing to support all plaster board edges.
- Prepare the mounting screws by placing the screws into the clear plastic bases. (Figure 2)
- NOTE:** For ease of installation, an additional person is recommended. Insert cabinet into wall opening. (Figure 3). Ensure the cabinet is plumb and level. If necessary use a carpenter's level and shim corners of cabinet. Secure to wall studs through the four (4) mounting holes inside cabinet, using the screws that have been placed into the plastic bases. (Figure 4) Do not over tighten the mounting screws as body side wall may bend and prevent shelf installation. Only tighten screws until they are flush with the body.
- Snap the screw covers over the screw bases. (Figure 5)



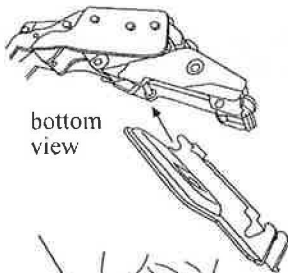
FAMILIARIZE YOURSELF WITH HINGE PRIOR TO MOUNTING.

125 Degree Hinge

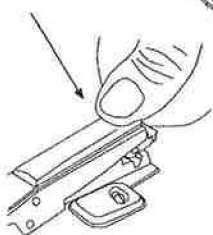
170 Degree Hinge



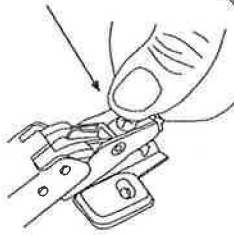
The bar on the bottom of the hinge slides into the slot on the bracket.



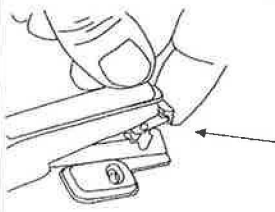
bottom view



Press down to snap into place.



TO REMOVE HINGE



Press in lever, then lift up on clip to release hinge.

