

SPECIFICATIONS

TUSCANY
PULLS



FEATURES

- Traditional styling
- Multiple finishes
- Concealed installation

WARRANTY

Limited lifetime

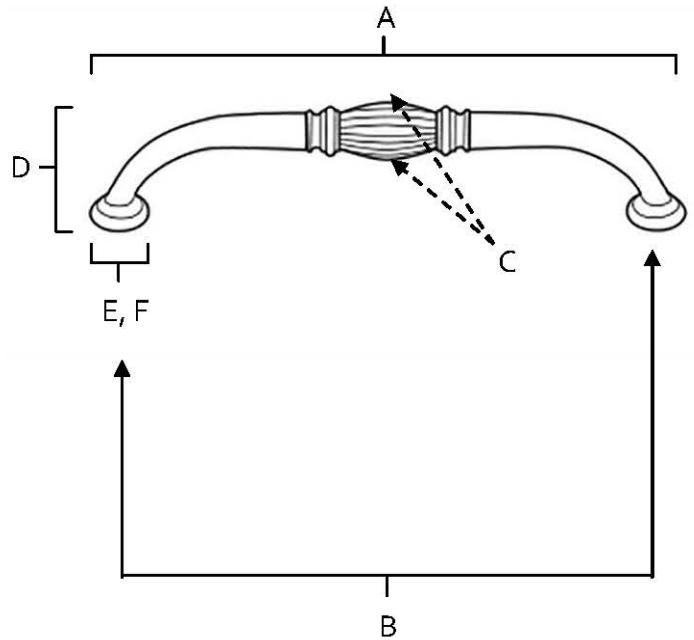
FINISHES

- Polished Chrome (PC)
- Antique English Matte (AEM)
- Barcelona (BARC)
- Polished Antique (PA)
- Polished Nickel (PN)
- Satin Nickel (SN)

MATERIAL

Brass

PRODUCT SHEET



Item#	A	B	C	D	E (L)	F (W)
A234-4	4 1/2"	4"	5/8"	1 1/8"	9/16"	9/16"
A234-6	6 5/8"	6"	3/4"	1 5/8"	5/8"	5/8"
A234-8	8 3/4"	8"	7/8"	2"	3/4"	3/4"

KEY:

- A - Overall Length
- B - Center to Center
- C - Handle Width
- D - Projection
- E - Mount Length
- F - Mouth Width

NOTE: Dimensions and specifications are subject to change without notice.