

**SPECIFICATIONS**

**TUSCANY**  
PULLS



**FEATURES**

- Traditional styling
- Multiple finishes
- Concealed installation

**WARRANTY**

Limited lifetime

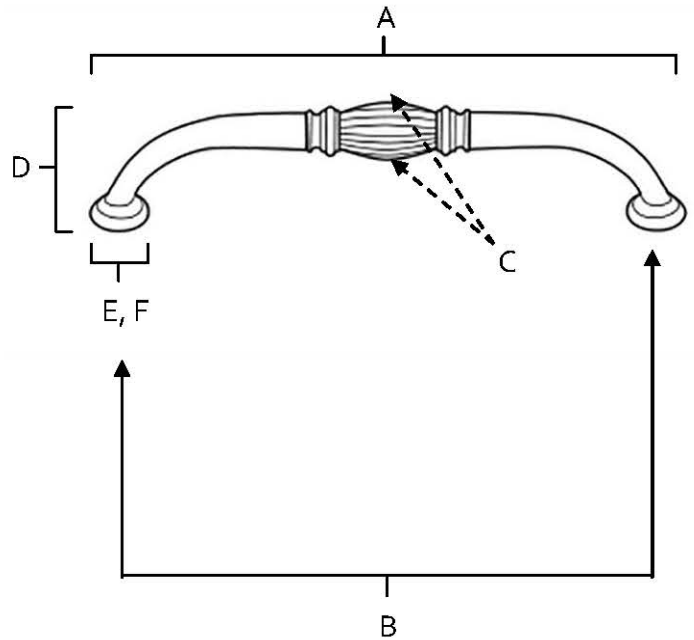
**FINISHES**

- Polished Chrome (PC)
- Antique English Matte (AEM)
- Barcelona (BARC)
- Polished Antique (PA)
- Polished Nickel (PN)
- Satin Nickel (SN)

**MATERIAL**

Brass

**PRODUCT SHEET**



| Item#  | A      | B  | C    | D      | E (L) | F (W) |
|--------|--------|----|------|--------|-------|-------|
| A234-4 | 4 1/2" | 4" | 5/8" | 1 1/8" | 9/16" | 9/16" |
| A234-6 | 6 5/8" | 6" | 3/4" | 1 5/8" | 5/8"  | 5/8"  |
| A234-8 | 8 3/4" | 8" | 7/8" | 2"     | 3/4"  | 3/4"  |

**KEY:**

- A - Overall Length
- B - Center to Center
- C - Handle Width
- D - Projection
- E - Mount Length
- F - Mouth Width

NOTE: Dimensions and specifications are subject to change without notice.