

SPECIFICATIONS

TUSCANY
PULLS



FEATURES

- Traditional styling
- Multiple finishes
- Concealed installation

WARRANTY

Limited lifetime

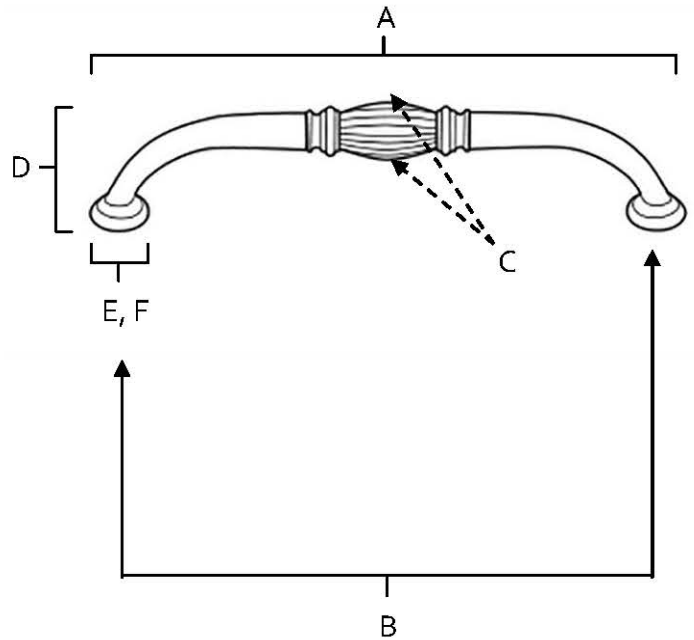
FINISHES

- Polished Chrome (PC)
- Antique English Matte (AEM)
- Barcelona (BARC)
- Polished Antique (PA)
- Polished Nickel (PN)
- Satin Nickel (SN)

MATERIAL

Brass

PRODUCT SHEET



| Item# | A | B | C | D | E (L) | F (W) |
|--------|--------|----|------|--------|-------|-------|
| A234-4 | 4 1/2" | 4" | 5/8" | 1 1/8" | 9/16" | 9/16" |
| A234-6 | 6 5/8" | 6" | 3/4" | 1 5/8" | 5/8" | 5/8" |
| A234-8 | 8 3/4" | 8" | 7/8" | 2" | 3/4" | 3/4" |

KEY:

- A - Overall Length
- B - Center to Center
- C - Handle Width
- D - Projection
- E - Mount Length
- F - Mouth Width

NOTE: Dimensions and specifications are subject to change without notice.