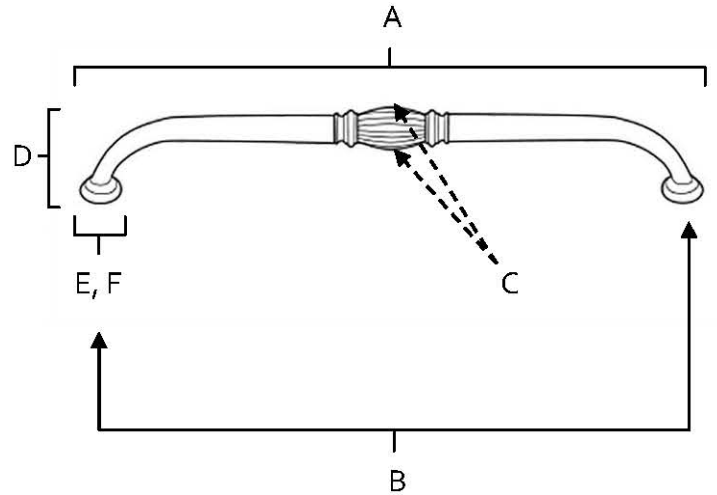


SPECIFICATIONS

TUSCANY
APPLIANCE PULLS



FEATURES

- Traditional styling
- Multiple finishes
- Concealed installation

WARRANTY

Limited lifetime

FINISHES

- Polished Chrome (PC)
- Antique English Matte (AEM)
- Barcelona (BARC)
- Polished Antique (PA)
- Polished Nickel (PN)
- Satin Nickel (SN)

MATERIAL

Brass

Item#	A	B	C	D	E (L)	F (W)
D234-12	13"	12"	1 1/4"	2 3/4"	1"	1"
D234-18	19 1/4"	18"	1 3/8"	3"	1 3/16"	1 3/16"

KEY:

- A - Overall Length
- B - Center to Center
- C - Handle Width
- D - Projection
- E - Mount Length
- F - Mouth Width

NOTE: Dimensions and specifications are subject to change without notice.