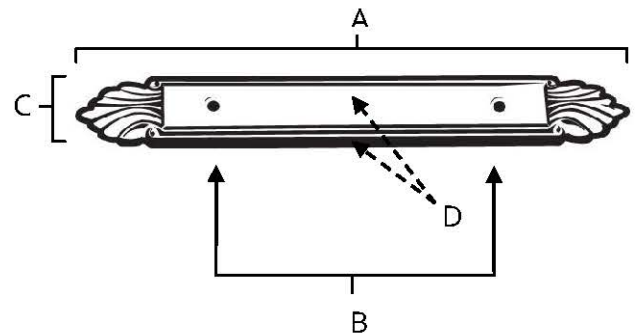


SPECIFICATIONS

FIORE
BACKPLATES FOR PULLS



FEATURES

- Traditional styling
- Multiple finishes
- Concealed installation

WARRANTY

Limited lifetime

FINISHES

- Antique English Matte (AEM)
- Barcelona (BARC)
- Bronze (BRZ)
- Chocolate Bronze (CHBRZ)
- Polished Antique (PA)
- Satin Nickel (SN)

MATERIAL

Brass

Item#	A	B	C	D
A1477-3	7"	3"	1"	1/4"
• for A1476-3				
A1477-35	7 3/8"	3 1/2"	1"	1/4"
• for A1476-35				

KEY:

- A - Length
- B - Center to Center
- C - Width
- D - Projection

NOTE: Dimensions and specifications are subject to change without notice.