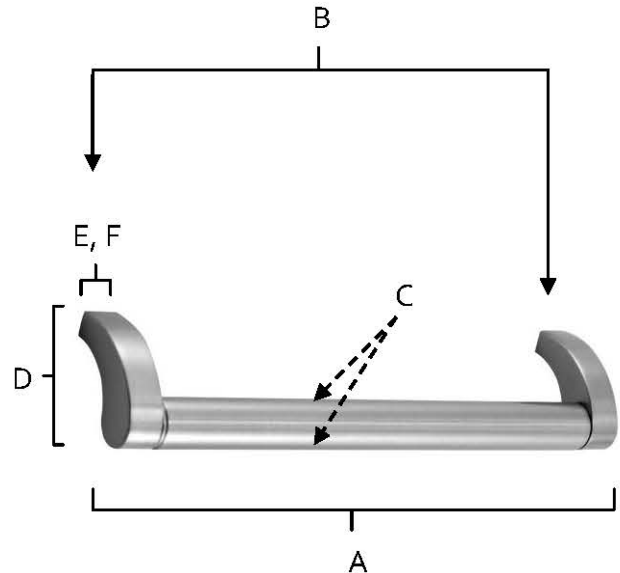


**SPECIFICATIONS**

**CIRCA**  
PULLS



**FEATURES**

- Modern styling
- Multiple finishes
- Concealed installation

**WARRANTY**

Limited lifetime

**FINISHES**

- Polished Chrome (PC)
- Polished Brass/Non-Lacquered (PB/NL)
- Bronze (BRZ)
- Polished Nickel (PN)
- Satin Nickel (SN)

**MATERIAL**

Brass

| Item#   | A       | B      | C    | D      | E (L) | F (W) |
|---------|---------|--------|------|--------|-------|-------|
| A260-15 | 1 7/8"  | 1 1/2" | 3/8" | 1 1/8" | 3/8"  | 1/4"  |
| A260-3  | 3 3/8"  | 3"     | 3/8" | 1 1/8" | 3/8"  | 1/4"  |
| A260-35 | 3 7/8"  | 3 1/2" | 3/8" | 1 1/8" | 3/8"  | 1/4"  |
| A260-4  | 4 3/8"  | 4"     | 3/8" | 1 1/8" | 3/8"  | 1/4"  |
| A260-6  | 6 3/8"  | 6"     | 3/8" | 1 1/8" | 3/8"  | 1/4"  |
| A260-8  | 8 3/8"  | 8"     | 3/8" | 1 1/8" | 3/8"  | 1/4"  |
| A260-12 | 12 3/8" | 12"    | 3/8" | 1 1/8" | 3/8"  | 1/4"  |

**KEY:**

- A - Overall Length
- B - Center to Center
- C - Handle Width
- D - Projection
- E - Mount Length
- F - Mount Width

NOTE: Dimensions and specifications are subject to change without notice.