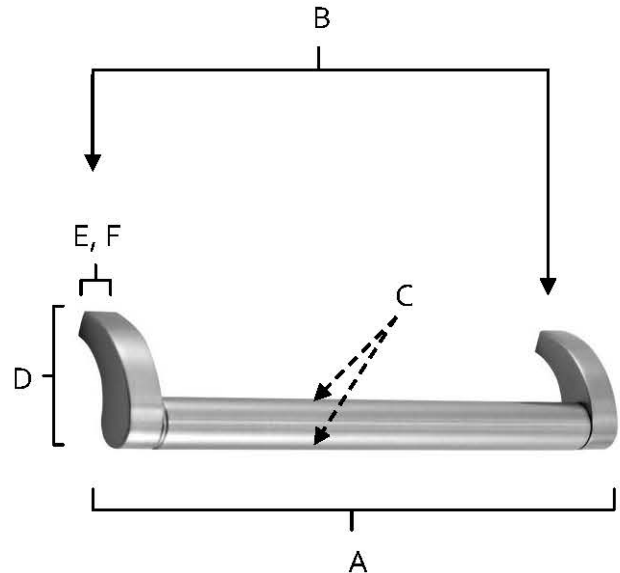


SPECIFICATIONS

CIRCA
PULLS



FEATURES

- Modern styling
- Multiple finishes
- Concealed installation

WARRANTY

Limited lifetime

FINISHES

- Polished Chrome (PC)
- Polished Brass/Non-Lacquered (PB/NL)
- Bronze (BRZ)
- Polished Nickel (PN)
- Satin Nickel (SN)

MATERIAL

Brass

| Item# | A | B | C | D | E (L) | F (W) |
|---------|---------|--------|------|--------|-------|-------|
| A260-15 | 1 7/8" | 1 1/2" | 3/8" | 1 1/8" | 3/8" | 1/4" |
| A260-3 | 3 3/8" | 3" | 3/8" | 1 1/8" | 3/8" | 1/4" |
| A260-35 | 3 7/8" | 3 1/2" | 3/8" | 1 1/8" | 3/8" | 1/4" |
| A260-4 | 4 3/8" | 4" | 3/8" | 1 1/8" | 3/8" | 1/4" |
| A260-6 | 6 3/8" | 6" | 3/8" | 1 1/8" | 3/8" | 1/4" |
| A260-8 | 8 3/8" | 8" | 3/8" | 1 1/8" | 3/8" | 1/4" |
| A260-12 | 12 3/8" | 12" | 3/8" | 1 1/8" | 3/8" | 1/4" |

KEY:

- A - Overall Length
- B - Center to Center
- C - Handle Width
- D - Projection
- E - Mount Length
- F - Mount Width

NOTE: Dimensions and specifications are subject to change without notice.