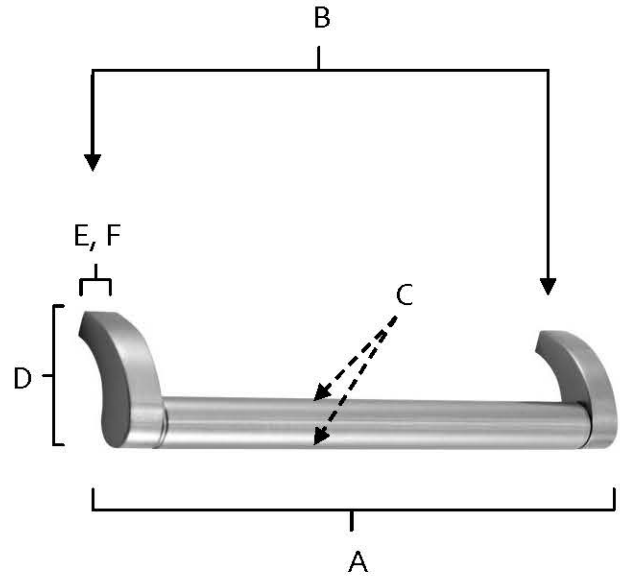


**SPECIFICATIONS**

**CIRCA**  
APPLIANCE PULLS



**FEATURES**

- Modern styling
- Multiple finishes
- Concealed installation

**WARRANTY**

Limited lifetime

**FINISHES**

- Polished Chrome (PC)
- Polished Brass/Non-Lacquered (PB/NL)
- Bronze (BRZ)
- Polished Nickel (PN)
- Satin Nickel (SN)

**MATERIAL**

Brass

Item#	A	B	C	D	E (L)	F (W)
D260-12	12 3/4"	12"	3/4"	2 1/8"	3/4"	3/8"
D260-18	19"	18"	1"	2 3/4"	1"	9/16"

**KEY:**

- A - Overall Length
- B - Center to Center
- C - Handle Width
- D - Projection
- E - Mount Length
- F - Mount Width

NOTE: Dimensions and specifications are subject to change without notice.