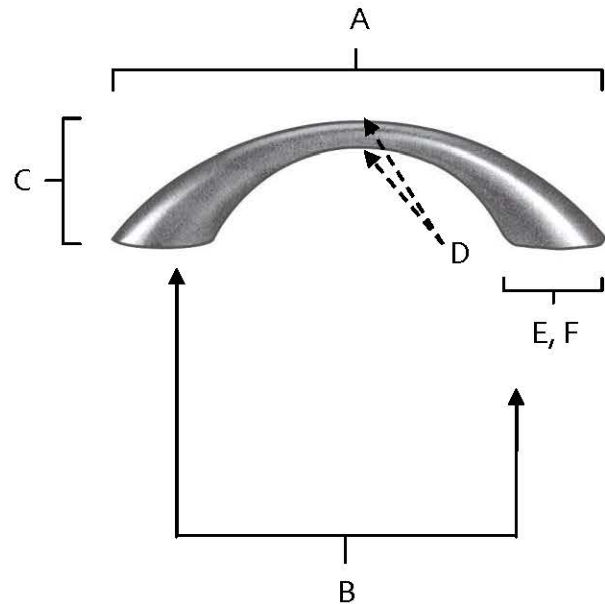


SPECIFICATIONS

**ECLECTIC
ARCH PULL**



FEATURES

- Modern styling
- Multiple finishes
- Concealed installation

WARRANTY

Limited lifetime

FINISHES

- Polished Chrome (PC)
- Satin Nickel (SN)
- Antique English Matte (AEM)
- Dark Iron (DKIRN)
- Distressed Nickel (DN)
- Rust (RST)
- Venetian Bronze (VBRZ)

MATERIAL

Zinc

Item#	A	B	C	D	E (L)	F (W)
A575	6 1/2"	5"	1/4"	1 1/8"	1"	7/16"

KEY:

- A - Overall Length
- B - Center to Center
- C - Handle Width
- D - Projection
- E - Mount Length
- F - Mount Width

NOTE: Dimensions and specifications are subject to change without notice.