

PRODUCT SHEET

SPECIFICATIONS

CUBE

SINGLE POST TISSUE HOLDER

FEATURES

Contemporary styling
Multiple finishes
Concealed installation

WARRANTY

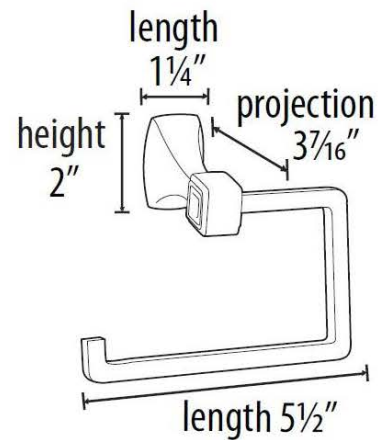
Limited lifetime

FINISHES

Polished Brass (PB)
Polished Brass/Non-lacquered (PB/NL)
Polished Chrome (PC)
Bronze (BRZ)
Chocolate Bronze (CHBRZ)
Polished Nickel (PN)
Satin Nickel (SN)

MATERIAL

Brass



Item#

A6566

NOTE: Dimensions and specifications are subject to change without notice.