

**"Creations"®**  
by ALNO, INC.

## SPECIFICATIONS

# CONTEMPORARY I HOSPITALITY TOWEL RACK



### FEATURES

- Modern styling
- Multiple finishes
- Concealed installation

### WARRANTY

Limited lifetime

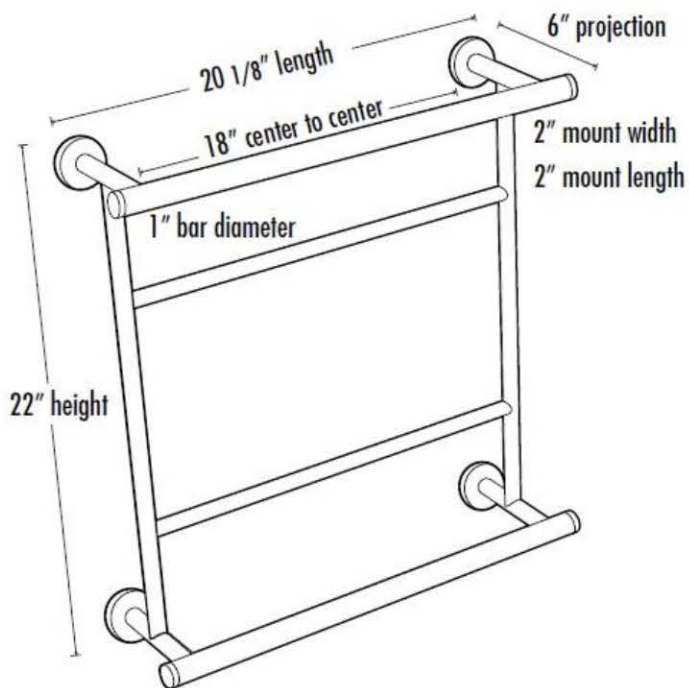
### FINISHES

- Polished Brass/Non-lacquered (PB/NL)
- Polished Chrome (PC)
- Bronze (BRZ)
- Polished Nickel (PN)
- Satin Nickel (SN)

### MATERIAL

Brass

## PRODUCT SHEET



Item#

**A8328-18**

NOTE: Dimensions and specifications are subject to change without notice.