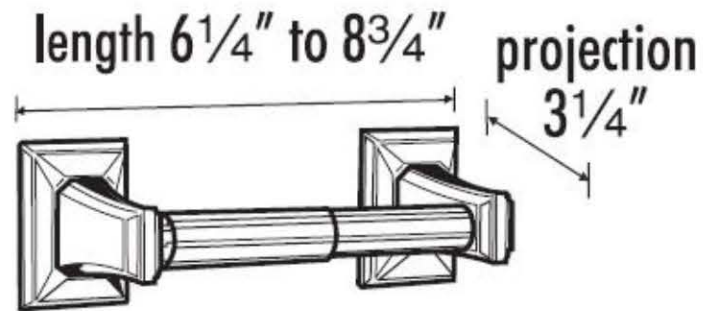


SPECIFICATIONS

**GEOMETRIC**  
TISSUE HOLDER



**FEATURES**

Transitional styling  
Multiple finishes  
Concealed installation

**WARRANTY**

Limited lifetime

**FINISHES**

Polished Brass (PB)  
Polished Brass/Non-lacquered (PB/NL)  
Polished Chrome (PC)  
Bronze (BRZ)  
Chocolate Bronze (CHBRZ)  
Polished Antique (PA)  
Polished Nickel (PN)  
Satin Nickel (SN)

**MATERIAL**

Brass

Item#

A7960

NOTE: Dimensions and specifications are subject to change without notice.