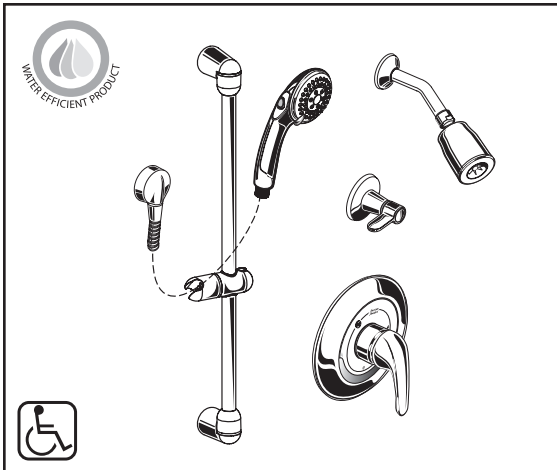




FloWise® COMMERCIAL SHOWER SYSTEMS

1.5 GPM SHOWER SYSTEM KIT

WITH HAND SHOWER & FloWise® SHOWERHEAD



MODEL NUMBER:

☐ 1662.213 Commercial Shower System Kit

Includes:

• Shower Valve with SS	R120SS
• Colony Soft Shower Only Trim with FloWise® Showerhead	T675.507.002
• 3-F Hand Shower with Pause Feature	1660.766.002
• In-Line Vacuum Breaker	1660.400.002
• Metal Hose	8888.035.002
• Wall Supply	8888.037.002
• 36" Slide Bar	1660.236.002
• 2-Way Diverter Valve	R420
• Heritage Diverter Handle	T342.430

GENERAL DESCRIPTION:

Complete commercial shower system includes: an R120SS pressure balance valve and trim, a wall supply with 1/2" NPT female inlet and 1/2" NPSM male outlet, a 59" (1500mm) metal shower hose, vacuum breaker, a 3-function water-saving personal shower with pause feature, 2-way diverter valve, and a 36" Slide Bar.

Valve features a cast brass body, washerless 47mm ceramic disc valve cartridge with volume and temperature control, back-to-back capability, integrated check valves and hot limit safety stop. Pressure balancing cartridge maintains constant output temperature in response to changes in relative hot and cold supply pressure. One-half inch direct sweat inlets and outlets. With screwdriver stops. Rough-in plaster guard designed for use as thin wall mounting adapter. Durable metal handle. 3-function water saving hand shower with pause feature and 1.5gpm/5.7/Lmin. flow restrictor. Slide bar features an adjustable shower holder which can be set at any height or position along the bar and angle up to 45°.

PRODUCT FEATURES:

VALVE:

Cast Brass Valve Body: Durable.

Ceramic Disc Valve Cartridge: Assures a lifetime of drip-free performance. Allows control over water temperature and volume.

Pressure Balancing Valve Cartridge: Maintains constant output temperature in response to changes in hot and cold supply pressure. Diaphragm system with integrated check valves engineered to eliminate cross flow.

Back-to-Back Capability: Hot and cold can be reversed quickly and easily.

Adjustable Hot Limit Safety Stop: Limits the amount of hot water allowed to mix with cold. Reduces the risk of accidental scalding.

Integral Plaster Guard and Mounting Plate:

Protects valve during installation and serves as a mounting plate for thin-wall installations.

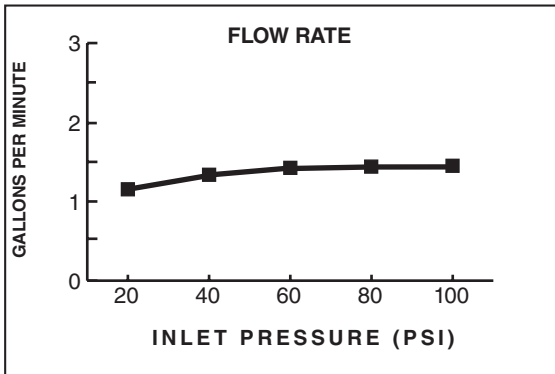
PERSONAL SHOWER:

Water Saving: Saves 40% of water usage

ADA-Compliant: Non-positive shut-off button on handle reduces flow to a trickle.

SLIDE BAR:

Simple Height Adjustment: Allows positioning of the personal shower anywhere along the bar.



SUGGESTED SPECIFICATION:

Shower system shall feature a wall supply with 1/2" NPT female inlets and 1/2" NPSM male outlet, 59" metal hose, vacuum breaker, 1.5 gpm/5.7L/min. 3-function water saving personal shower with pause feature, 2-way diverter valve, FloWise® showerhead and a 36" Slide Bar. Pressure Balance valve shall feature a cast brass body. Shall feature ceramic disc valve cartridge which controls water temperature and volume. Shall also feature hot limit safety stop. Fitting shall be American Standard Model # 1662.213.002.

CODES AND STANDARDS

Install as required to comply with local code requirements.

- ASME A112.18.1
- ASSE 1016
- CSA B 125
- ANSI A117.1

Product Number	Description	Finish
		Polished Chrome
1662.213	FloWise® Commercial Shower System Kit. Contains pressure balance valve with volume and temperature control, trim kit, 3-function water saving hand shower with pause feature, metal hose, vacuum breaker, 2-way diverter valve, FloWise® showerhead, wall supply and 36" slide bar. 1.5gpm/5.7L/min.	002

