

EDGEMERE™

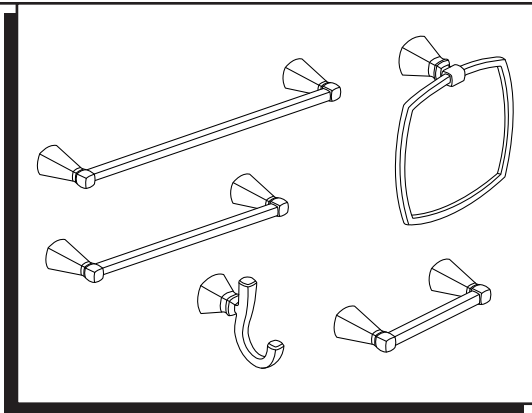
18" TOWEL BAR
 24" TOWEL BAR
 TOWEL RING
 ROBE HOOK
 TOILET PAPER HOLDER
 WITH PIVOTING BAR

Thank you for selecting American Standard...
 the benchmark of fine quality for over 100 years.

To ensure that your installation proceeds smoothly-please
 read these instructions carefully before you begin.

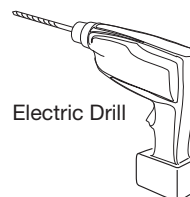
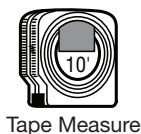
**INSTALLATION
 INSTRUCTIONS**

7018.018 Series
 7018.024 Series
 7018.190 Series
 7018.210 Series
 7018.230 Series



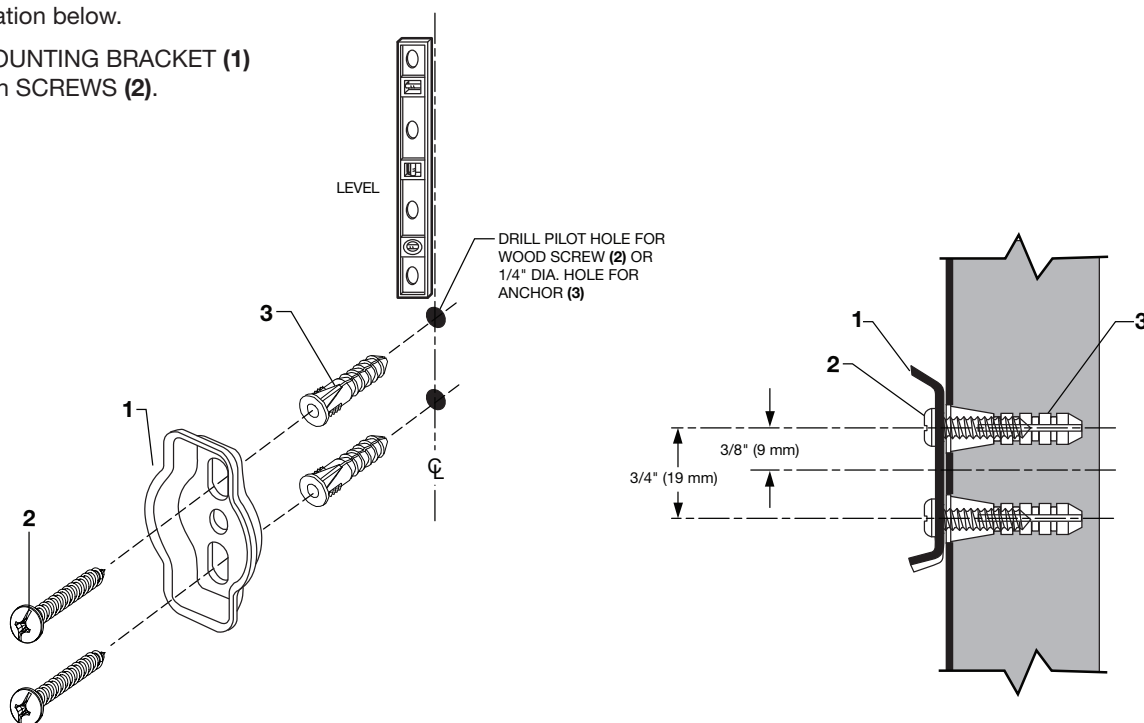
Certified to comply with ANSI A112.18.1M

RECOMMENDED TOOLS



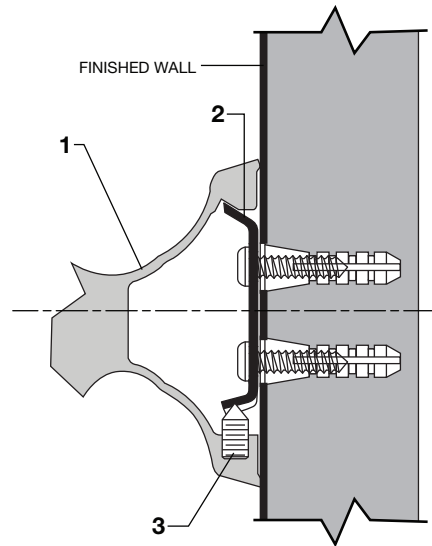
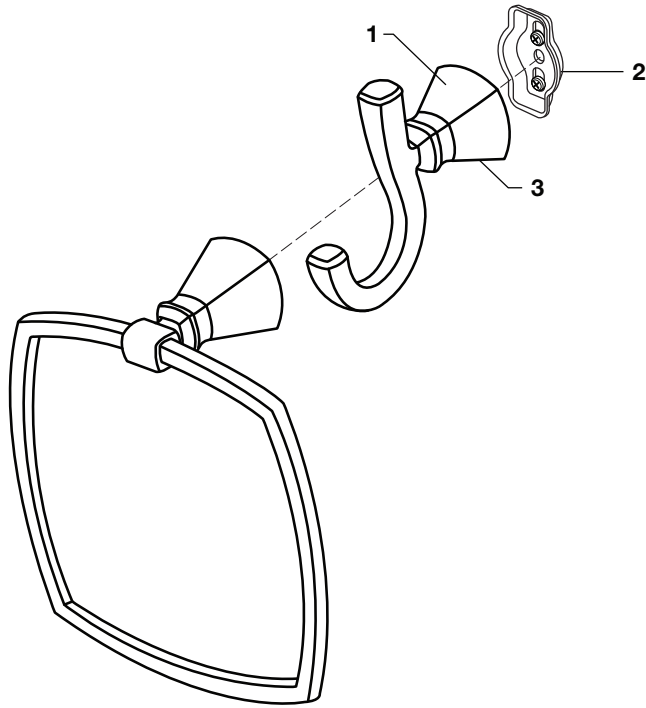
1 INSTALLATION OF MOUNTING BRACKETS FOR ALL WALL MOUNTED ACCESSORIES

- The WALL MOUNTED ACCESSORIES work best if secured to a wall stud or cross brace within the wall, using the SCREWS (2) supplied.
- If the ACCESSORY is to be installed on a tile or plaster wall, the ANCHORS (3) and SCREWS (2) should be used.
- Determine desired height and location (optional) and mark a center line. Make sure the centerline is level. Using the MOUNTING BRACKET (1) as a template, mark the two spots for the mounting holes. If MOUNTING BRACKET (1) is secured to a stud or cross brace, drill small pilot holes for SCREWS (2).
- For installations on tiled walls or drywall, use TILE ANCHORS (3) and SCREWS (2) for securing MOUNTING BRACKET (1) to wall. Drill two 1/4" diameter holes a minimum of 1-1/4" deep. Insert the two TILE ANCHORS (3) flush with face of finished wall. Place MOUNTING BRACKET (1) over TILE ANCHORS (3) and insert SCREWS (2) provided with a flat blade screwdriver. See illustration below.
- Secure MOUNTING BRACKET (1) to wall with SCREWS (2).



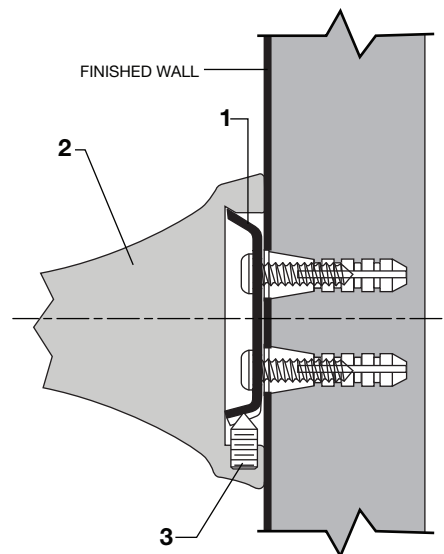
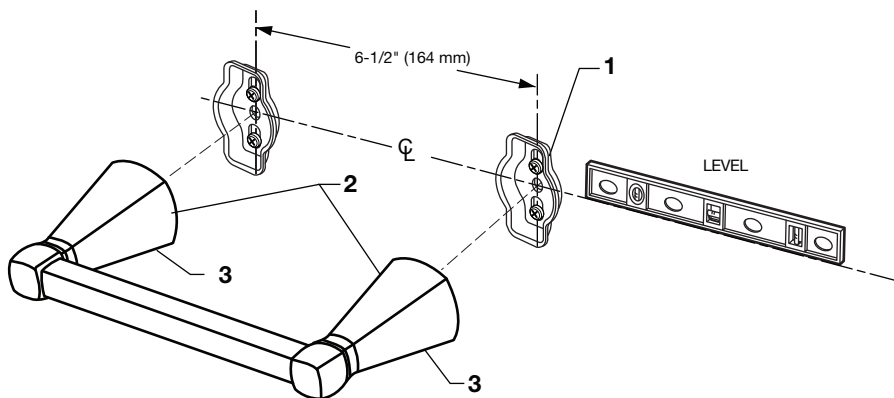
2 TOWEL RING and ROBE HOOK INSTALLATION

- Refer to **Step 1** for installation of MOUNTING BRACKETS (2). Align accessory and place ACCESSORY ESCUTCHEON (1) onto MOUNTING BRACKET (2). Secure accessory with SET SCREW (3).



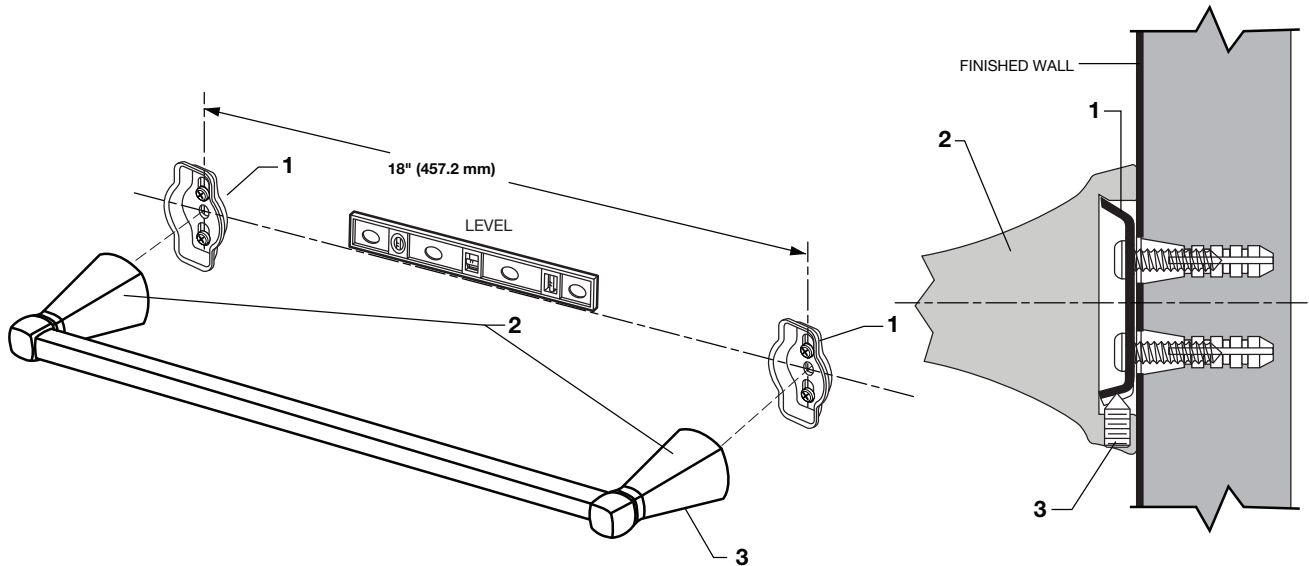
3 INSTALL TOILET PAPER HOLDER

- Refer to **Step 1** for installation of MOUNTING BRACKETS (1). **NOTE: The center line distance between the two MOUNTING BRACKETS is 7-1/8" (182 mm). Make sure the two MOUNTING BRACKETS (1) are level.**
- Install the ACCESSORY ESCUTCHEONS (2) on the MOUNTING BRACKETS (1). Secure ACCESSORY ESCUTCHEONS (2) with SET SCREW (3).



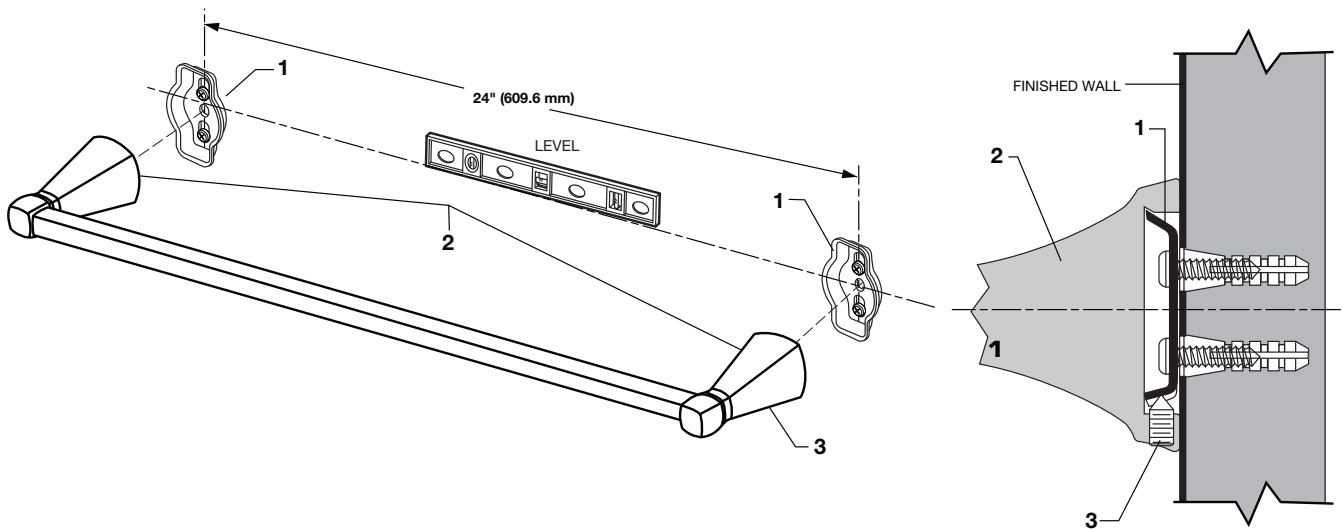
4 18" TOWEL BAR INSTALLATION

- Refer to **Step 1** for installation of MOUNTING BRACKETS (1). **NOTE: The center line distance between the two MOUNTING BRACKETS is 18" (457.2 mm). Make sure the two MOUNTING BRACKETS (1) are level.**
- Install the ACCESSORY ESCUTCHEONS (2) on the MOUNTING BRACKETS (1). Secure ACCESSORY ESCUTCHEONS (2) with SET SCREW (3).



5 24" TOWEL BAR INSTALLATION

- Refer to **Step 1** for installation of MOUNTING BRACKETS (1). **NOTE: The center line distance between the two MOUNTING BRACKETS is 24" (609.6 mm). Make sure the two MOUNTING BRACKETS (1) are level.**
- Install the ACCESSORY ESCUTCHEONS (2) on the MOUNTING BRACKETS (1). Secure ACCESSORY ESCUTCHEONS (2) with SET SCREW (3).



6 CARE INSTRUCTIONS:

DO: CLEAN WITH CLEAR WATER. DRY WITH A SOFT COTTON FLANNEL CLOTH.

DO NOT: DO NOT CLEAN THE PRODUCT WITH SOAPS, ACID, POLISH, ABRASIVES, HARSH CLEANERS, OR A CLOTH WITH A COARSE SURFACE.

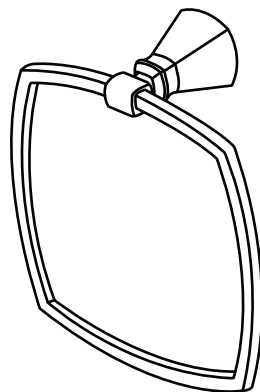
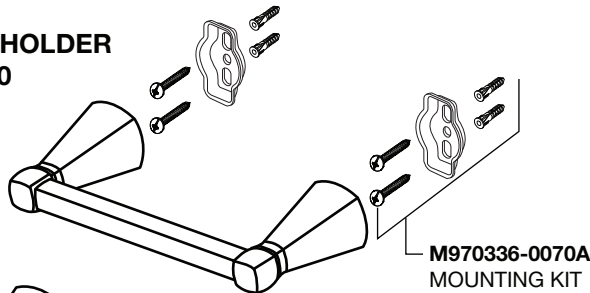
American Standard

EDGEMERE™
 18" TOWEL BAR
 24" TOWEL BAR
 TOWEL RING
 ROBE HOOK
 TOILET PAPER HOLDER
 WITH PIVOTING BAR

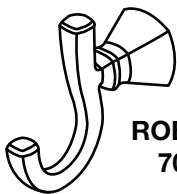
MODEL NUMBER

7018.018 Series
7018.024 Series
7018.190 Series
7018.210 Series
7018.230 Series

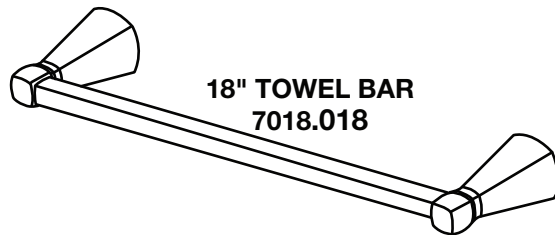
TOILET PAPER HOLDER
7018.230



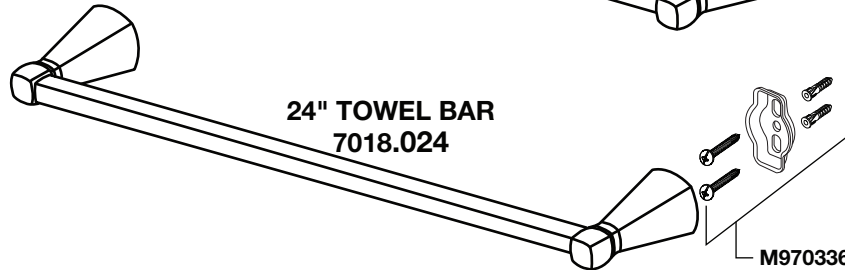
TOWEL RING
7018.190



ROBE HOOK
7018.210



18" TOWEL BAR
7018.018



24" TOWEL BAR
7018.024

Replace the "YYY" with appropriate finish code

| | |
|---------------|-----|
| CHROME | 002 |
| SATIN NICKEL | 295 |
| LEGACY BRONZE | 278 |

HOT LINE FOR HELP

For toll-free information and answers to your questions, call:
 1 (800) 442-1902

Mon. - Fri. 8:00 a.m. to 8:00 p.m. EST
 Saturday 10:00 a.m. to 4:00 p.m. EST

IN CANADA 1-800-387-0369
 (TORONTO 1-905-306-1093)

Weekdays 8:00 a.m. to 7:00 p.m. EST

IN MEXICO 01-800-839-1200



PART OF **LIXIL**