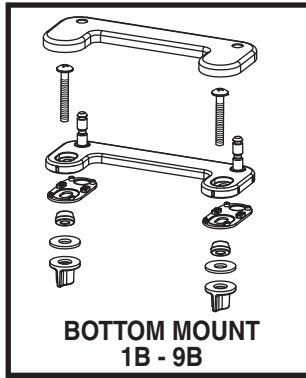
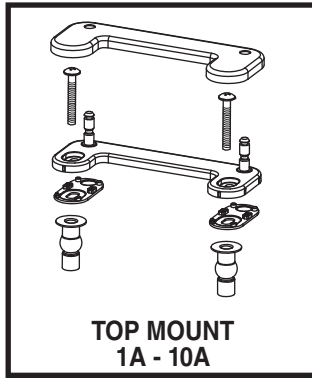


INSTALLATION INSTRUCTIONS

TOILET SEAT - TOP MOUNT & BOTTOM MOUNT

American Standard

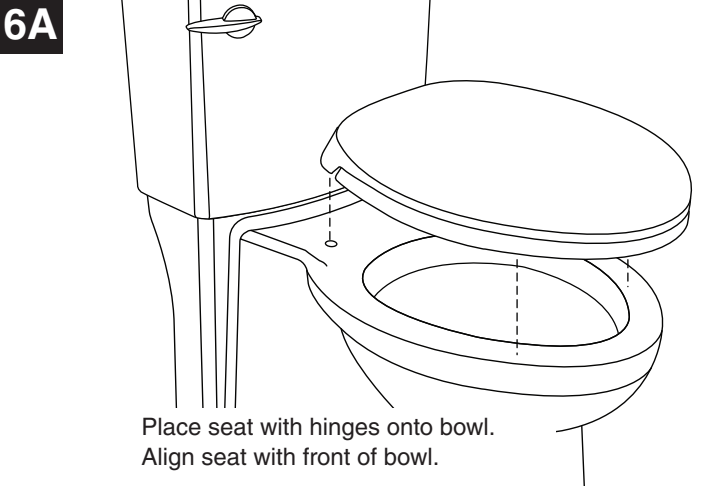
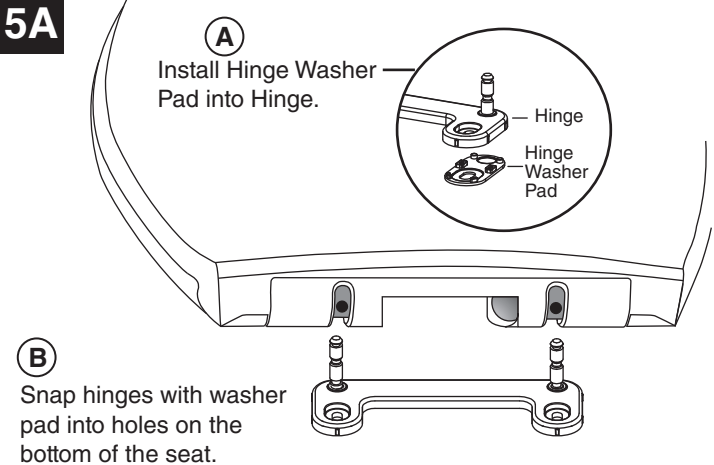
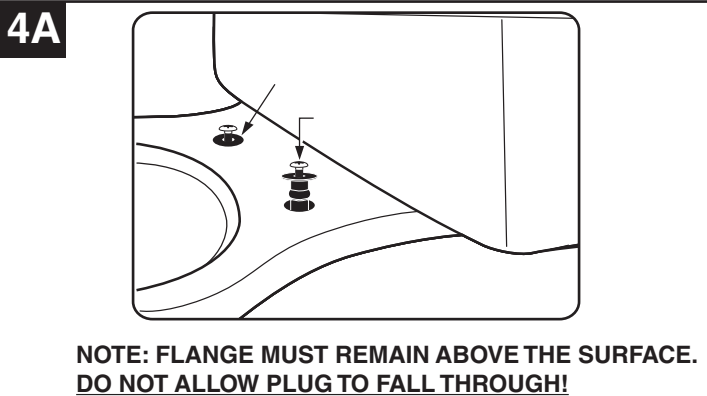
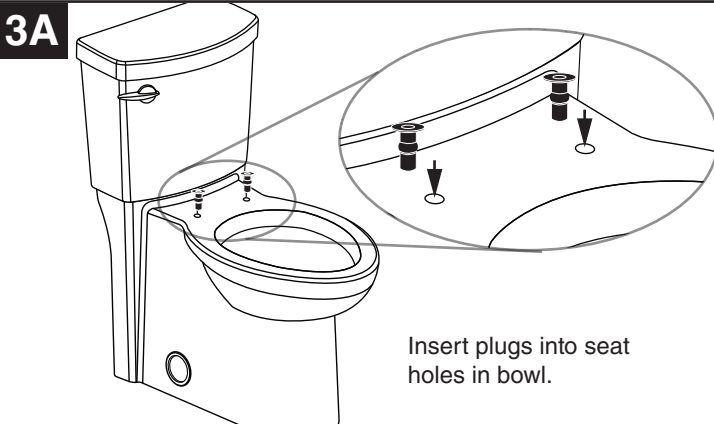
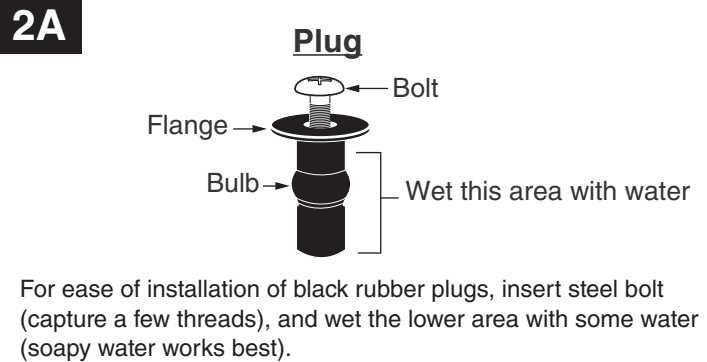
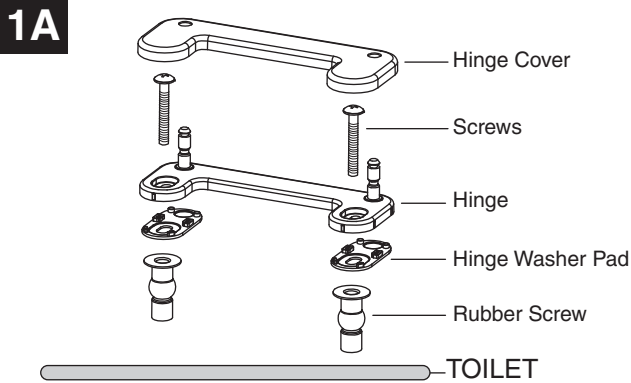
**IF YOU
HAVE...**



Thank you for selecting American Standard – the benchmark of fine quality for over 100 years. To ensure this product is installed properly, please read these instructions carefully before you begin. (Certain installations may require professional help.) Also be sure your installation conforms to local codes.

NOTE: Pictures may not exactly depict toilet seat and components.

TOP MOUNT



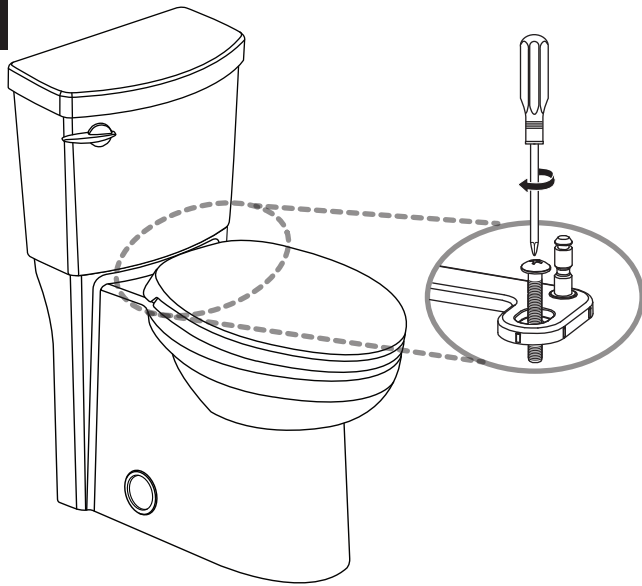
SAVE FOR FUTURE USE



Product names listed herein are trademarks of AS America, Inc.
© AS America, Inc. 2017

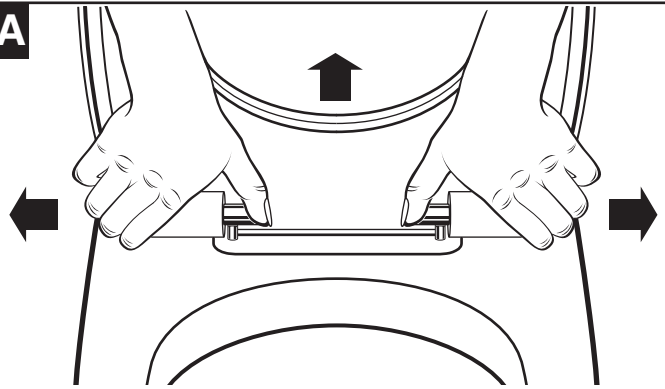
760237-100 Rev. A 6/17

7A



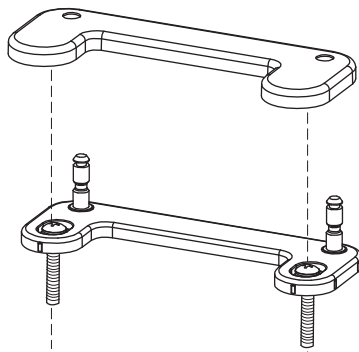
Put screws into seat hinge and tighten using a screwdriver.

8A



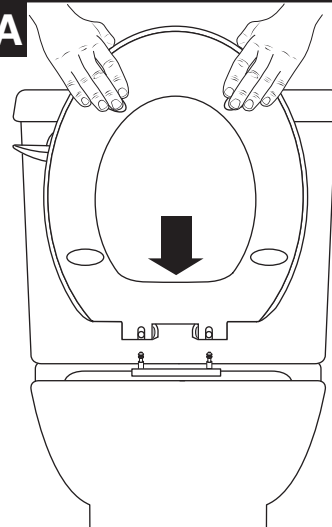
Open the seat and cover. Push both inside buttons to release seat and cover. Pull the seat and cover upwards to take it off the hinges.

9A



Place Hinge Cover over the Hinges.

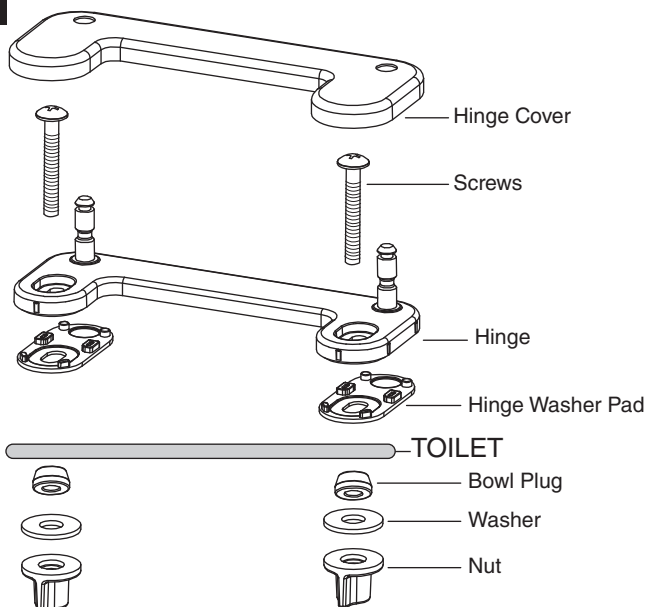
10A



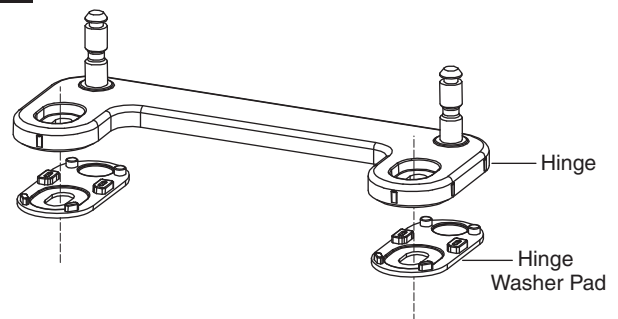
Place seat back on bowl and click seat onto hinges.

BOTTOM MOUNT

1B

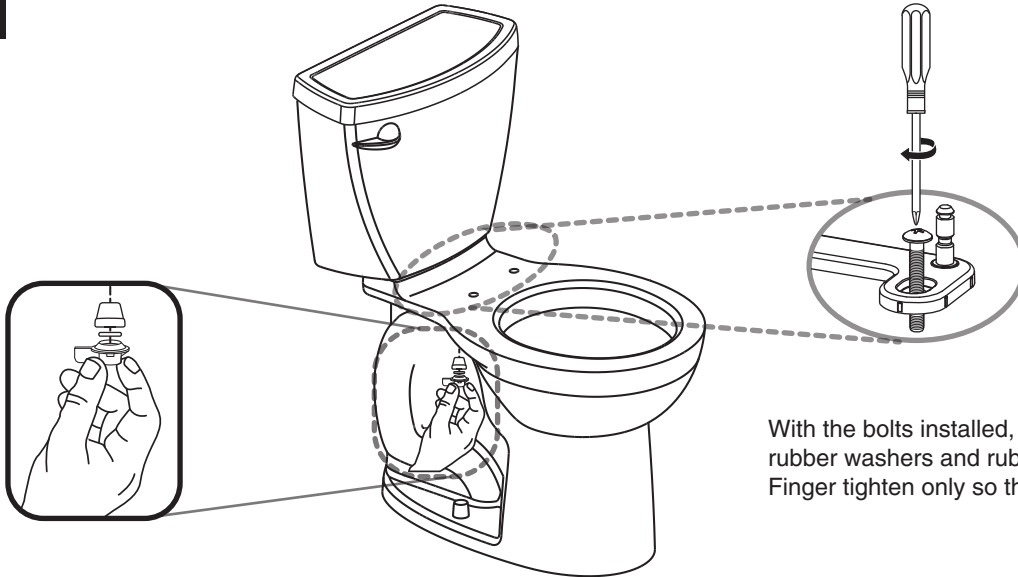


2B



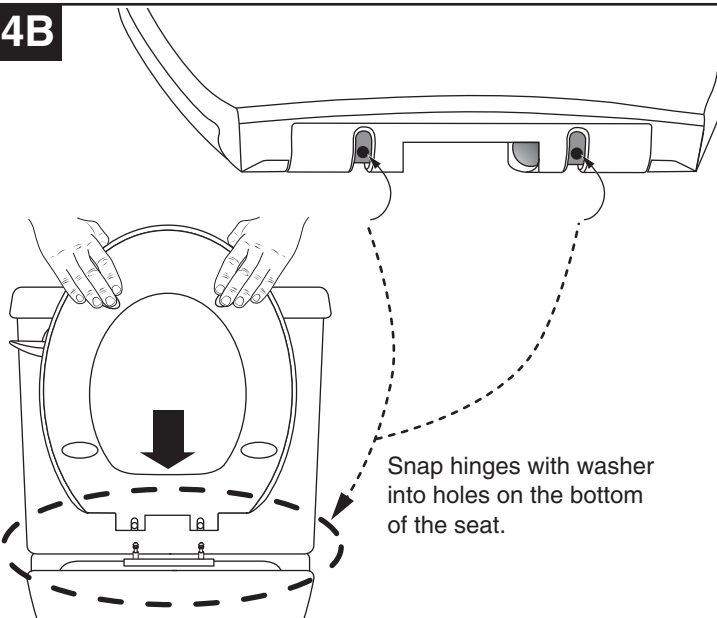
Install Hinge Washer Pad into Hinge.

3B



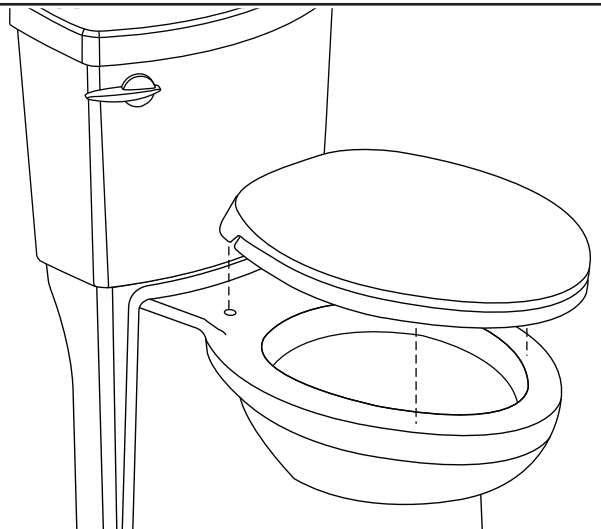
With the bolts installed, thread the winged nuts, rubber washers and rubber plugs on to the bolts. Finger tighten only so that hinge can still turn.

4B



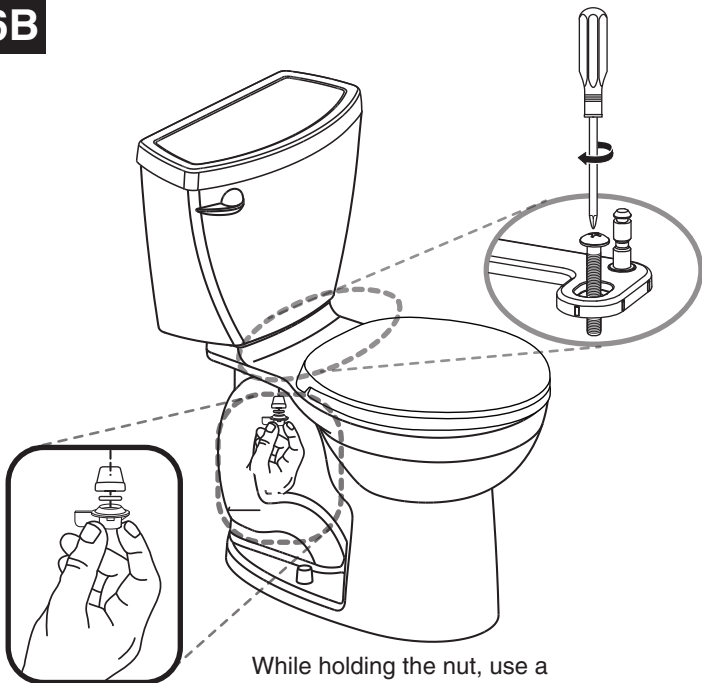
Snap hinges with washer into holes on the bottom of the seat.

5B



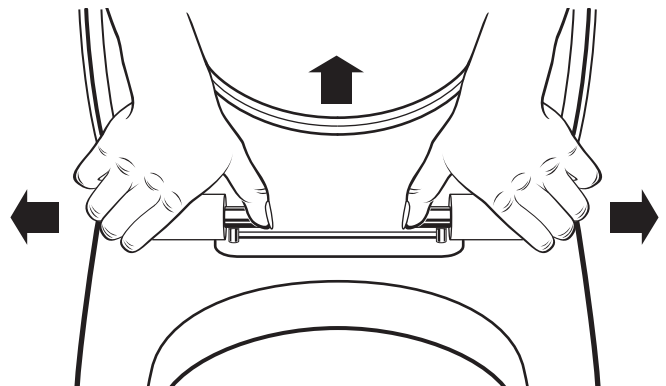
Place seat with hinges onto bowl. Align seat with front of bowl.

6B

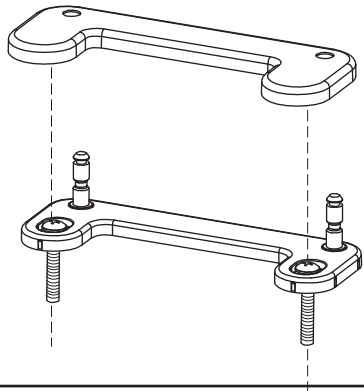


While holding the nut, use a screwdriver to tighten the hinge.

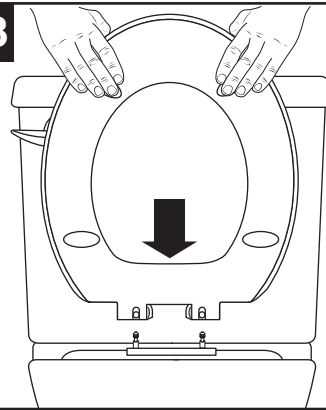
7B



Open the seat and cover. Push both inside buttons to release seat and cover. Pull the seat and cover upwards to take it off the hinges.

8B

Place Hinge Cover over the Hinges.

9B

Place seat back on bowl and click seat onto hinges.

Care and Cleaning

When cleaning your toilet seat wash it with a mild, soapy water: rinse the seat thoroughly with clear water and dry with a soft cloth.

Avoid detergents, disinfectants, or cleaning products in aerosol cans. Never use abrasive scouring powders on your seat. Some bathroom chemicals and cosmetics may damage the seat's finish. After installation, check the tightness of the bolts from time to time to ensure a tight fit.

REPLACEMENT KIT

PART NUMBER	DESCRIPTION
760234-100.XXX	*SEAT MOUNTING KIT: INCLUDES BOTH TOP & BOTTOM MOUNTING HARDWARE

* Includes a set of seat bumpers and all hardware needed for installation of seats.

AS AMERICA, INC. ONE YEAR LIMITED WARRANTY

If inspection of this AS America, Inc. ("American Standard") plumbing product, within one year after its initial purchase, confirms that it is defective in materials or workmanship, American Standard will repair or, at its option, exchange the product for a similar model.

This limited warranty applies only to the original purchaser and installation of these products. In the event of a limited warranty claim, proof of purchase will be required—save sales receipt.

This limited warranty does not apply to local building code compliance. Since local building codes vary considerably, the purchaser of this product should check with a local building or plumbing contractor to insure local code compliance before installation.

This limited warranty is void if the product has been moved from its initial place of installation; if it has been subjected to faulty maintenance, abuse, misuse, accident or other damages; if it was not installed in accordance with American Standard's instructions; or if it has been modified in a manner inconsistent with the product as shipped by American Standard.

American Standard's option to repair or exchange the product under this limited warranty does not cover any labor or other costs of removal or installation. **IN NO EVENT WILL AMERICAN STANDARD BE LIABLE FOR THE COST OF REPAIR OR REPLACEMENT OF ANY INSTALLATION MATERIALS, INCLUDING BUT NOT LIMITED TO, TILES, MARBLE ETC.** American Standard will not be responsible for any other incidental or consequential damages attributable to a product defect or to the repair or exchange of a defective product, all of which are expressly excluded from this limited warranty. This limited warranty does not cover any liability for consequential or incidental damages, all of which are hereby expressly disclaimed, or the extension beyond the duration of this limited warranty of any implied limited warranties, including those of merchantability or fitness for an intended purpose. (Some states or provinces do not allow the exclusion or limitation of implied limited warranties, so this exclusion may not apply to you.)

This limited warranty gives you specific legal rights. You may have other statutory rights that vary from state to state or from province to province, in which case this limited warranty does not affect such statutory rights.

For service under this warranty, it is suggested that a claim be made through the contractor or dealer from or through whom the product was purchased, or that a service request (including a description of the product model and of the defect) be sent to the following address:

In the United States:

American Standard Brands
1 Centennial Ave
Piscataway, New Jersey 08854
Attention: Director of Consumer Affairs

For residents of the United States, warranty information may also be obtained by calling the following toll free number: (800) 442-1902
www.americanstandard-us.com

In Canada:

AS Canada ULC
5900 Avebury Rd.
Mississauga, Ontario
Canada L5R 3M3

Toll Free: (800) 387-0369
www.americanstandard.ca

In Mexico:

Customer Service Manager
AS Maquila, S.A. de C.V.
Via Morelos #330
Col. Santa Clara
Ecatepec 55540 Edo. Mexico

www.americanstandard.com.mx