

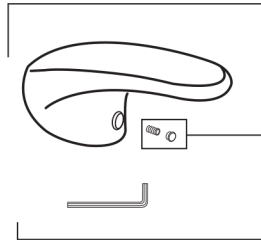
COLONY® PRO SINGLE CONTROL CENTERSET LAVATORY FAUCET

MODEL NUMBERS

7075.054 / 7075.055 / 7075.056
7075.050 / 7075.004 / 7075.005
7075.006 / 7075.002 / 7075.000

Replace the "YYY" with appropriate finish code

| | |
|-----------------|-----|
| POLISHED CHROME | 002 |
| LEGACY BRONZE | 278 |
| SATIN NICKEL | 295 |



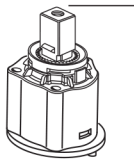
M970184-YYY0A
HANDLE KIT



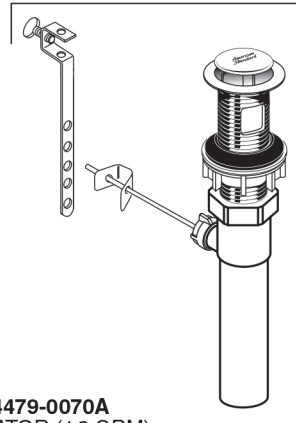
M907315-YYY0A
CARTRIDGE CAP



M918511-0070A
CARTRIDGE SCREWS

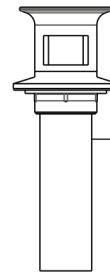


M951483-0070A
CARTRIDGE



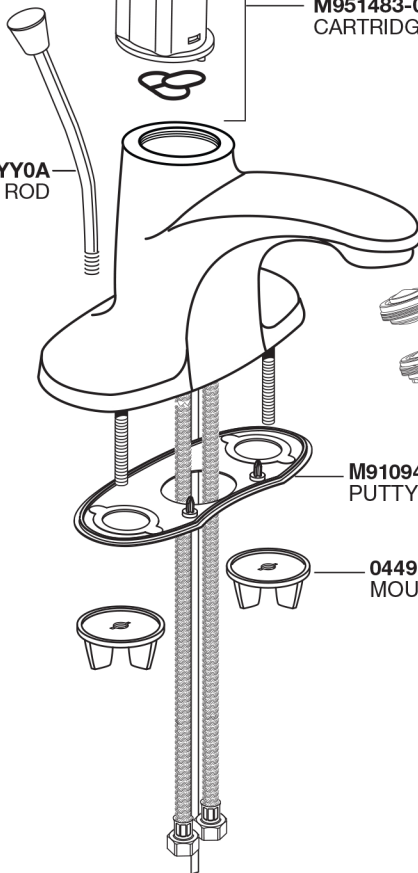
M953465-YYY0A
PLASTIC DRAIN ASSEMBLY

M953450-YYY0A
METAL DRAIN ASSEMBLY



M953455-YYY0A
GRID DRAIN

M970185-YYY0A
LIFT ROD



M964479-0070A
AERATOR (1.2 GPM)

M922917-0070A
AERATOR (0.5 GPM)

M910942-0070A
PUTTY PLATE

044912-0070A
MOUNTING NUT

HOT LINE FOR HELP

For toll-free information and answers to your questions, call:
1 (800) 442-1902

Mon. - Fri. 8:00 a.m. to 8:00 p.m. EST
Saturday 10:00 a.m. to 4:00 p.m. EST

IN CANADA 1-800-387-0369
(TORONTO 1-905-306-1093)

Weekdays 8:00 a.m. to 7:00 p.m. EST

IN MEXICO 01-800-839-1200

