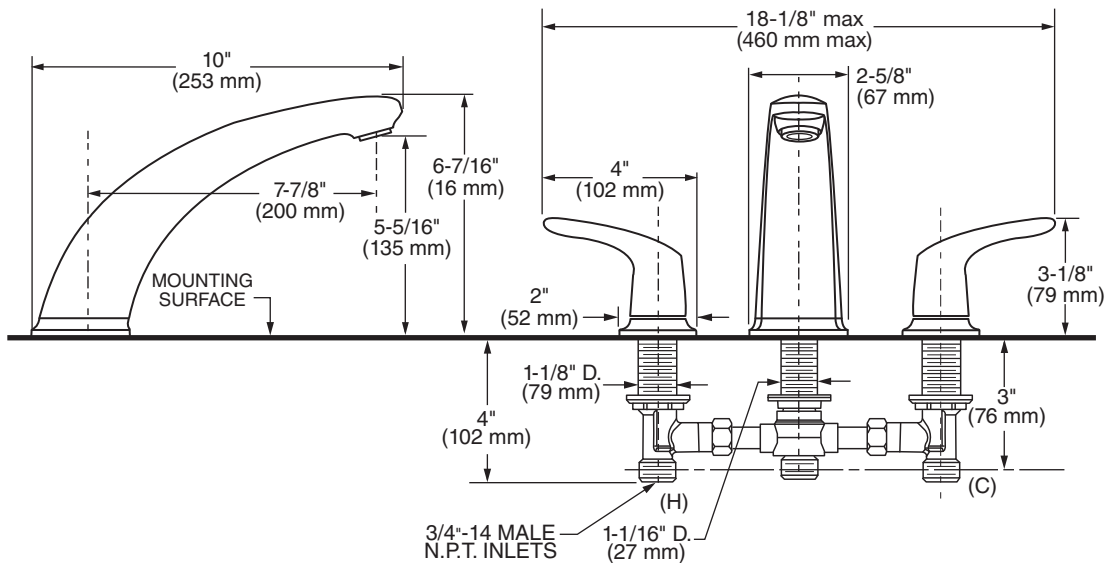


**MODEL NUMBER:**

- T075.900 Deck-Mount Tub Filler Trim Only  
Metal lever handles. LESS valve.



**GENERAL DESCRIPTION:**

Durable brass spout. Rigid brass and copper waterway below deck provided for 12" installations (can be cut for 8" installations). Brass valve bodies with 3/4" NPT inlets. 1/4 turn washerless ceramic disc valve cartridges.

**PRODUCT FEATURES:**

**Brass Construction:** Durable. Ideal for prolonged contact with water. Provides the finest surface for application of all finishes.

**Ceramic Disc Valve Cartridge:** Assures a lifetime of smooth handle operation and drip-free performance.

**Exclusive Handle Alignment System:** Allows fine tuning of handle position.

**SUGGESTED SPECIFICATION**

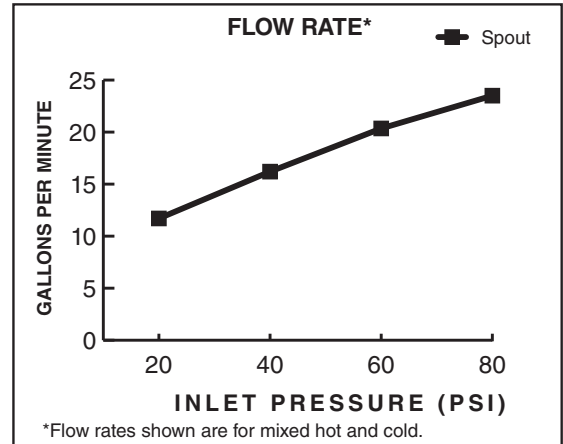
Two handle deck-mount tub filler shall feature brass construction with brass and copper waterway. Shall also feature 1/4 turn washerless ceramic disc valve cartridges. Fitting shall be American Standard Model #T075.900.\_\_\_\_

**CODES AND STANDARDS**

These products meet or exceed the following codes and standards:

**ASME A112.18.1**  
**CSA B125.1**

Check local plumbing codes. Some installations may require a vacuum breaker.



Product Number	Description		Finish Options		
			Polished Chrome	Legacy Bronze	PVD Satin Nickel
			002	278	295
T075.900	Deck-Mount Tub Filler. Metal lever handles.				

Meets the American Disabilities Act Guidelines and **ANSI A117.1** Requirements for the physically challenged.