

KIPLING OVALE FREESTANDING TUB

2767.034 KIPLING OVALE FREESTANDING TUB

Product Features:

- Elegant traditional styling
- High-gloss cast acrylic
- Soaking tub with deep bathing well
- Center toe tap drain
- Large slotted overflow for deep soaking
- Integrated tub drain with chrome finish
- Removable overflow design give ability to change to satin nickel overflow and drain kit (sold separately)
- Limited Lifetime warranty

Nominal Dimensions:

69-5/8" x 31-3/4"min. x 23-5/8"
(1768 x 806 min. x 600mm)

Compliance Certifications -

Meets or Exceeds the Following Specifications:

- IAPMO Z124-2011
- CSA B45.5-11
- cUPC



SEE REVERSE SIDE FOR ROUGHING-IN DIMENSIONS
AND PRODUCT SPECIFICATIONS

To Be Specified - Required:

- Color: White

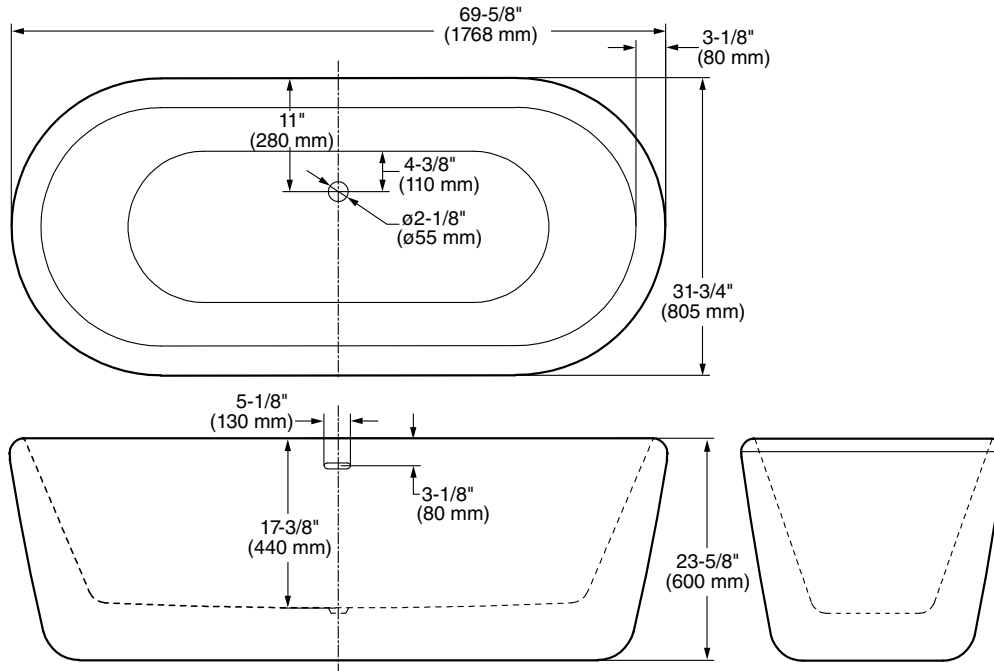
Optional: For all installations

1680.100.295 Satin Nickel Overflow and Drain Kit

Recommended: For concrete slab installation

Drain adapter rough-in suggest

- OS&B ABS Island Tub Drain Rough-In #ITD35
- PVC Island Tub Drain Rough-In #ITD5135
- or
- Cast Iron Island Tub Drain Rough-In #ID357



GENERAL SPECIFICATIONS FOR 2767 FREE STANDING BATH	
INSTALLED SIZE _____	69-5/8 x 31-3/4 x 23-5/8 in. (1768 x 806 x 600mm)
WEIGHT _____	112 Lbs. (51 Kg.)
WEIGHT w/WATER _____	484 Lbs. (220 Kg.)
GAL. TO OVERFLOW _____	58 Gal. (220 L)
BATHING WELL AT SUMP _____	44-7/8 x 16 in. (1140 x 406mm)
BATHING WELL AT RIM _____	63-3/8 x 25-1/2 in. (1610 x 648mm)
WATER DEPTH TO OVERFLOW _____	14-1/4 in. (362mm)
FLOOR LOADING _____	32 Lbs./Sq.Ft. (155 Kgs./Sq.m)
(PROJECTED AREA)	

NOTES:

■ REFER TO INSTALLATION INSTRUCTIONS SUPPLIED WITH BATHTUB FOR ADDITIONAL INFORMATION.

IMPORTANT: Dimensions of fixtures are nominal and may vary within the range of tolerances established by ANSI Standard Z124.1.2. These measurements are subject to change or cancellation. No responsibility is assumed for use of superseded or voided leaflet.