

T385.502 Bath/Shower Trim Shown.
T385.522 Bath/Shower Trim Modernization Plate (inlaid).

GENERAL DESCRIPTION:

SHOWERHEAD

Single function showerhead at maximum 2.5 gpm/9.5 L/min. flow rate.

WALL TUB SPOUT

Metal slip-on diverter spout.

WALL VALVE TRIM

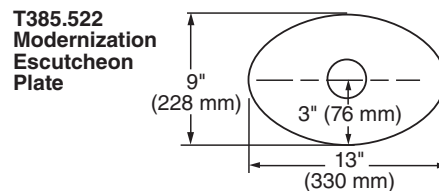
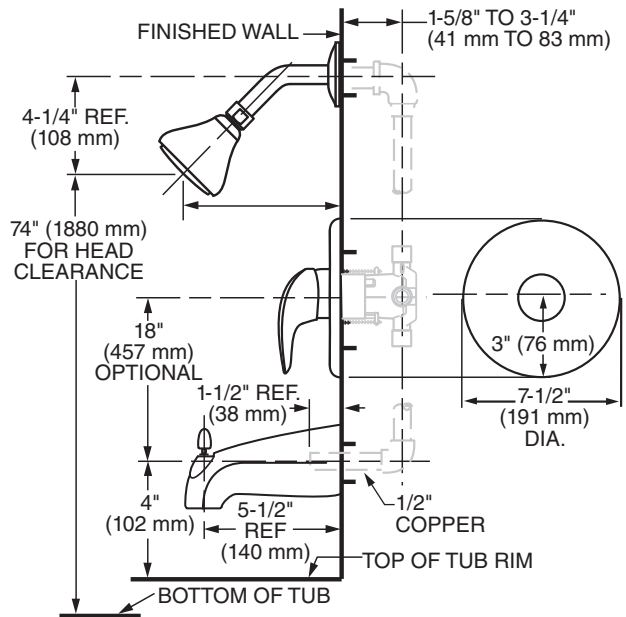
Available with metal lever handle.
Metal wall escutcheon.

MODEL NUMBER:

TRIM KITS:

- ❑ T385.502 Reliant 3 BATH/SHOWER Trim Kit
Metal Lever Handle. LESS Valve Body.
- ❑ T385.522 Reliant 3 BATH/SHOWER Trim Kit
with Modernization Escutcheon Plate
Metal Lever Handle. LESS Valve Body.
- ❑ T385.501 Reliant 3 SHOWER ONLY Trim Kit
Metal Lever Handle. LESS Valve Body.
- ❑ T385.500 Reliant 3 VALVE ONLY Trim Kit
Metal Lever Handle. LESS Valve Body.

*For use with R120 Series Pressure Balance Valves.
See reverse side for available Rough Valves.*



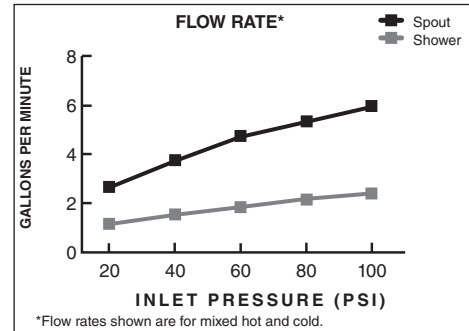
SUGGESTED SPECIFICATION:

Bath/shower fitting shall feature water saving showerhead with Max. 2.5 gpm/9.5 L/min. flow rate. Fitting shall be: American Standard - Trim Kit Model # T385.50_._. and Valve Body Model # R12_.

CODES AND STANDARDS

These products meet or exceed the following codes and standards:

- ANSI A 117.1
- ASSE 1016
- ASME A112.18.1
- CSA B 125.1



Modifications	Parts Suffix*
<p>IPS Spout</p>	__IPT
<p>Factory Installed Decal Ring (Red/Blue)</p>	__WD

*To modify a product, add suffix after the 4th digit (ex. T064ITP502.002)

TRIM KITS *	Product Number	Description	* TRIM & ROUGH MUST BE ORDERED SEPARATELY.		Finish Options	
					Polished Chrome	PVD Satin Nickel
					002	295
	T385.502	Bath/Shower Trim Kit. Metal Lever Handle. LESS Valve Body.				
	T385.522	Bath/Shower Trim Kit with Modernization Escutcheon Plate. Metal Lever Handle. LESS Valve Body.				N/A
	T385.501	Shower Only Trim Kit. Metal Lever Handle. LESS Valve Body.				
	T385.500	Valve Only Trim Kit. Metal Lever Handle. LESS Valve Body.				

ROUGH VALVE BODIES	Product Number	Description
	R121	Rough Valve Body less trim. Universal inlets/outlets.
	R121SS	Rough Valve Body less trim. Universal inlets/outlets with Screwdriver Stops.
	R120	Rough Valve Body less trim. Direct Sweat inlets/outlets.
	R120SS	Rough Valve Body less trim. Direct Sweat inlets/outlets with Screwdriver Stops.
	R125	Rough Valve Body less trim. Female Thread inlets/outlets.
	R125SS	Rough Valve Body less trim. Female Thread inlets/outlets with Screwdriver Stops.
	R127	Rough Valve Body less trim. PEX inlets/universal outlets for Crimp Ring PEX system (ASTM F1807).
	R127SS	Rough Valve Body less trim. PEX inlets/universal outlets for Crimp Ring PEX system (ASTM F1807) with Screwdriver Stops.
	R128	Rough Valve Body less trim. PEX inlets/universal outlets for Cold Expansion PEX system (ASTM F1960).
	R128SS	Rough Valve Body less trim. PEX inlets/universal outlets for Cold Expansion PEX system (ASTM F1960) with Screwdriver Stops.
	R129	Rough Valve Body less trim. CPVC inlets/universal outlets.
	R129SS	Rough Valve Body less trim. CPVC inlets/universal outlets with Screwdriver Stops.

Meets the American Disabilities Act Guidelines and ANSI A117.1 Requirements for the physically challenged.

N/A = Not Available