



Date: December 20, 1999
Subject: Gas Water Heater Conversion Policy
To: All Accounts

No. 137 Rev. 2

* This supersedes all previous letters and field bulletins concerning residential and commercial water heater conversion.

GAS WATER HEATER CONVERSION POLICY

All A.O. Smith Water Products Company's residential and commercial gas water heaters are designed certified by CSA or UL, under ANSI Standards for operation on one type of gas only, as indicated on the water heater's model number and rating plate.

A.O. Smith realizes that there may be certain situations where a field conversion may be necessary and in order to facilitate such a conversion, A. O. Smith complies with CSA or UL regulations ensuring that a field conversion be appropriately and safely completed.

An improper field conversion from one type of gas to another could cause potentially dangerous conditions that may cause an explosion or fire resulting in property damage, bodily injury or both.

A.O. SMITH WILL ONLY ALLOW THE CONVERSION OF GAS WATER HEATERS FROM LP GAS (PROPANE) TO NATURAL GAS. THE CONVERSION OF A GAS WATER HEATER FROM NATURAL GAS TO LP GAS (PROPANE) IS NOT ALLOWED UNDER ANY CIRCUMSTANCES.

A.O. Smith will provide kits as demand warrants through our Parts Department, phone no. 1-800-433-2545. Prices, dimensions and specifications are subject to change without notice.

Each conversion kit is to be installed by an A.O. Smith service agent or a gas utility serviceman in accordance with A.O. Smith's written instructions and all codes and requirements of the authority having jurisdiction. Failure to follow instructions could result in serious injury or property damage. The utility performing this work assumes responsibility for this conversion.

Changing the Input on Gas Water Heaters

The only changes to the input of a gas water heater allowed are:

- Adjustments to match that shown on the rating plate of the heater. The installation instructions supplied with the heater indicate if adjustments to input are a required procedure.
- Changes made as required to adjust the heater for proper operation at high altitude as determined by a qualified service technician. Service manuals include the proper procedure for adjusting heaters at high altitudes.

Conversion of Gas Water Heaters

The conversion of LP gas (Propane) to Natural gas is ONLY allowed providing:

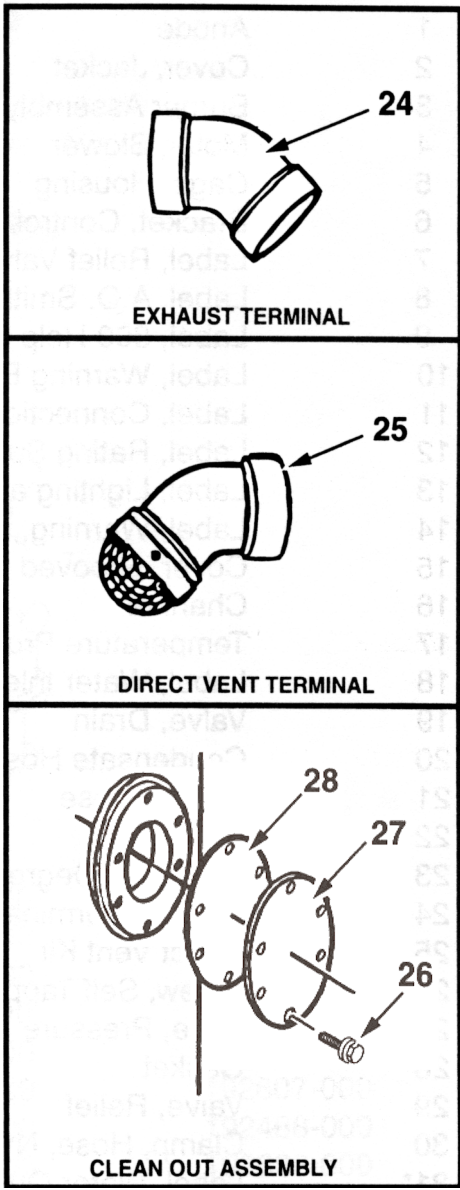
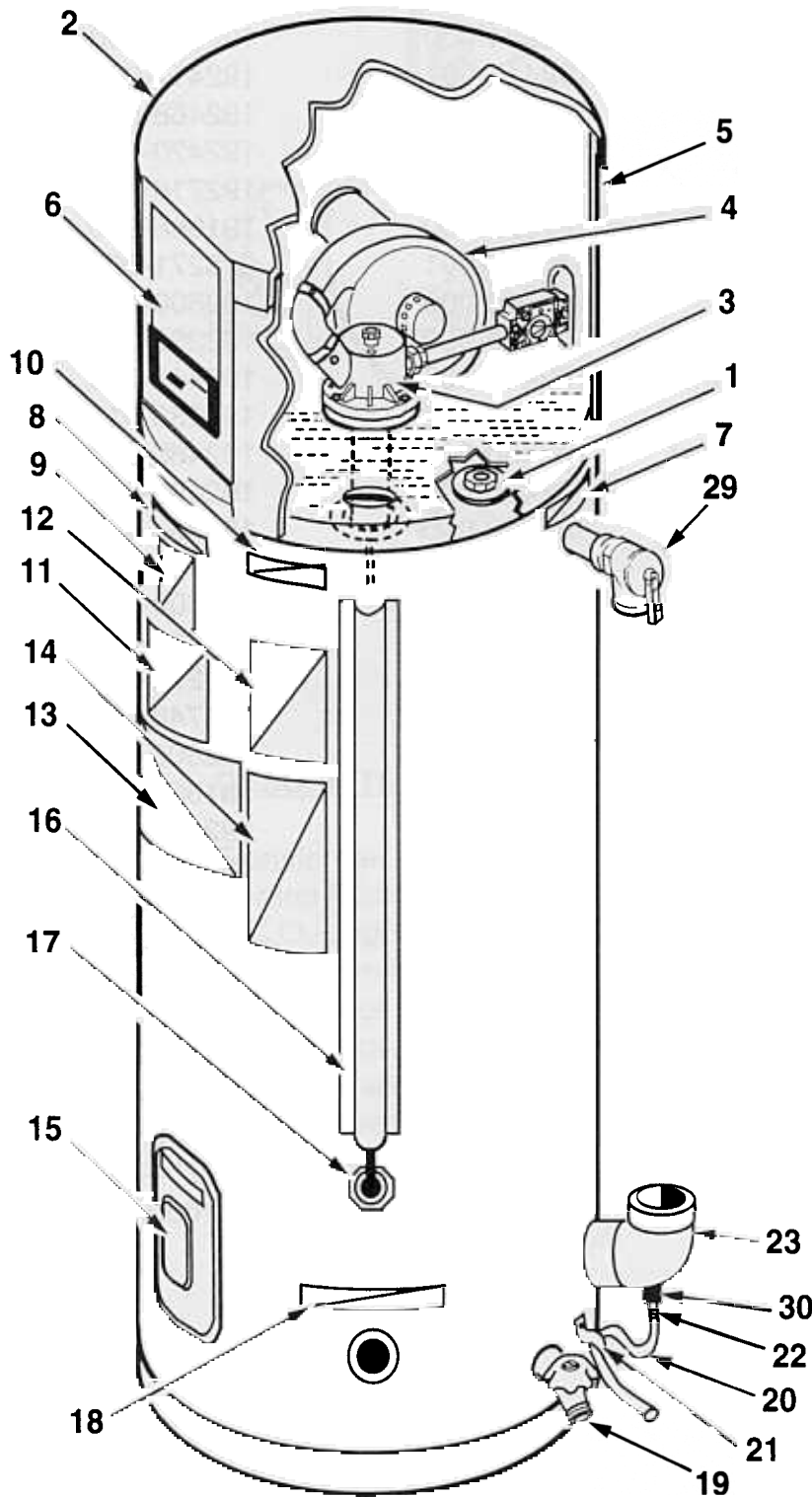
- The conversion is done as part of a gas utility's program where propane appliances were installed anticipating the completion of natural gas service to the area. The conversion must be done under the direct supervision of the utility and by their service representatives.

Claims of damage or injury arising from the unauthorized conversion of any A.O. Smith water heater not design certified for conversion will be the complete and total responsibility of the person or entity making the conversion.

If you have any questions regarding the above policy, please contact the A.O. Smith Parts Department at 1-800-433-2545 or our Technical Information Center at 1-800-527-1953.

A.O. SMITH WATER PRODUCTS CO., INC.
5621 W. 115TH STREET • ALSIP, ILLINOIS 60803
PHONE: 1-800-433-2545
FAX: 1-800-433-2515 • www.hotwater.com

COMMERCIAL WATER HEATER PARTS LIST
CYCLONE XHE® MODELS BTH-150, BTH-199
SERIES: 960

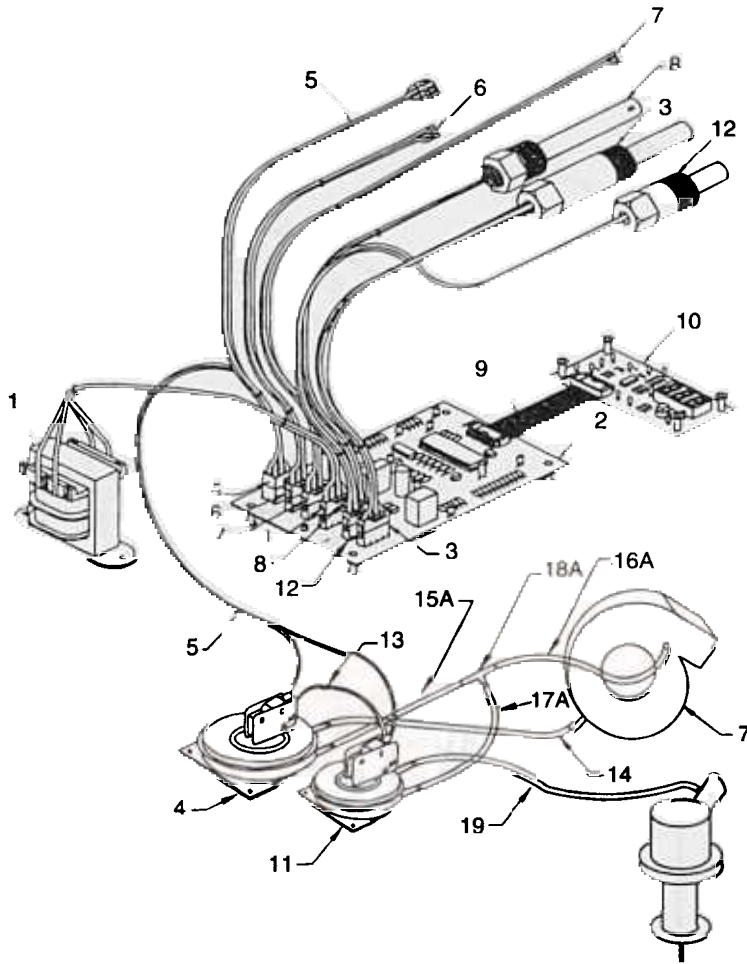


**CYCLONE XHE® MODELS
BTH-150 & BTH-199 WATER HEATER PARTS LIST**

ITEM	DESCRIPTION	BTH-150	BTH-199
1	Anode	043817-053	043817-053
2	Cover, Jacket	192664-000	192664-000
3	Burner Assembly	192417-001	192417-000
4	Motor, Blower	192468-000	192468-000
5	Cage, Housing	192420-000	192420-000
6	Bracket, Control Panel	192716-000	192716-000
7	Label, Relief Valve	191068-000	191068-000
8	Label, A.O. Smith Commercial	043271-001	043271-001
9	Label, 800 Help Line	190600-000	190600-000
10	Label, Warning E.C.O.	192282-000	192282-000
11	Label, Connection Diagram	192446-000	192446-000
12	Label, Rating Specifications	190238-013	190238-013
13	Label, Lighting and Operating	192480-000	192480-000
14	Label, Warning,, Clearance	192496-000	192496-000
15	Cover, Grooved	181260-000	181260-000
16	Channel	095312-003	095312-003
17	Temperature Probe, Lower	192609-000	192609-000
18	Label, Water Inlet	094518-000	094518-000
19	Valve, Drain	026273-004	026273-004
20	Condensate Hose	191746-072	191746-072
21	Clamp, Hose	192806-000	192806-000
22	Barb, Hose	181863-000	181863-000
23	Elbow, 90 Degree	192473-000	192473-000
24	Exhaust Terminal	181901-000	181901-000
25	Direct Vent Kit	182167-000	182167-000
26	Screw, Self Tapping	069852-001	069852-001
27	Plate, Pressure	099037-000	099037-000
28	Gasket	099038-000	099038-000
29	Valve, Relief	191617-000	191617-000
30	Clamp, Hose, Nylon Snap	191794-001	191794-001
31*	Label, Water Outlet	094519-000	194519-000
32*	Label, Cleanout	078754-000	078754-000
33*	Screen, Exhaust	181662-000	181662-000

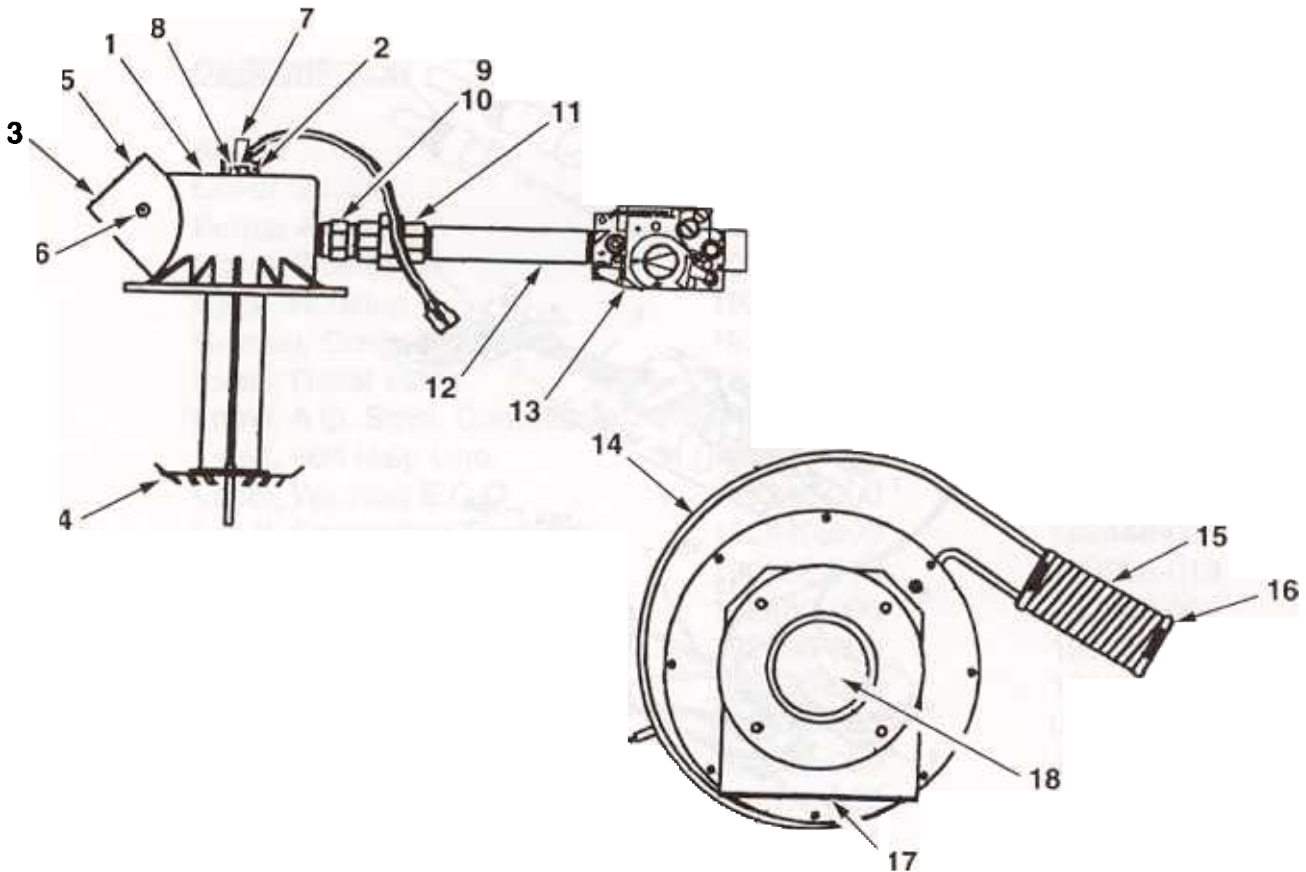
* Not Illustrated

**CYCLONE XHE® MODELS
BTH-150 & BTH-199 CONTROLS PARTS LIST**



<u>ITEM</u>	<u>DESCRIPTION</u>	<u>BTH-150</u>	<u>BTH-199</u>
1	Transformer	192608-000	192608-000
2	Control Board	192624-000	192624-000
3	E.C.O./Upper Probe	192606-000	192606-000
4	Blower Proving Switch	192811-000	192727-000
5	Low Voltage Cable Assembly	192605-000	192605-000
6	Line Voltage Cable Assembly	192607-000	192607-000
7	Blower Assembly	192468-000	192468-000
8	Igniter Assembly	192638-000	192638-000
9	Cable to Control Display Board	192623-000	192623-000
10	Board, Display Panel	192622-000	192622-000
11	Blocked Flue Proving Switch	192810-000	192728-000
12	Temperature Probe, Lower	192609-000	192609-000
13	Wire Assembly, Air Flow Switch	192802-000	192802-000
14	Tubing, Pressure	192024-014	192024-014
15A	Tubing, Pressure	192024-004	192024-004
16A	Tubing, Pressure	192024-004	192024-004
17A	Tubing, Pressure	192024-008	192024-008
18A	Connector, Tube	192152-000	192152-000
19	Tubing, Pressure	192024-008	192024-008

**CYCLONE XHE® MODELS
BTH-150 & BTH-199 BURNER & BLOWER PARTS LIST**



ITEM	DESCRIPTION	BTH-150	BTH-199
1	Burner	192416-000	192416-000
2	Igniter Assembly	192638-000	192638-000
3	Rivet, Blind, 1/8" Dia 316 SS	192730-000	192730-000
4	Air Deflector	192414-000	192414-000
5	Air Restrictor	192450-001	192450-000
6	Barb, Hose, 3/16"	192800-000	192800-000
7	Flame Rod Assembly	192478-000	192478-000
8	Screw, Self Tapping #8-18	192698-000	192698-000
9	Orifice	192477-001	192477-000
10	Orifice Holder	192447-000	192447-000
11	Union, Pipe	095515-000	195515-000
12	3/4" Nipple, Pipe	085040-017	085040-017
13	Valve, Gas (Honeywell)	192797-000	192797-000
14	Motor, Blower	192468-000	192468-000
15	Tube, Air	192469-000	192469-000
16	Clamp, 3"	192696-000	192696-000
17	Bracket, Blower Mounting	192482-000	192482-000
18	Flange, Inlet	192641-000	192641-000