

Brand	AXOR
Art. Name	AXOR Starck Single-Hole Faucet 100 with Lever Handle and Pop-Up Drain, 1.2 GPM
Art. Nr.	10001001
Surface	Chrome
Pos.	1

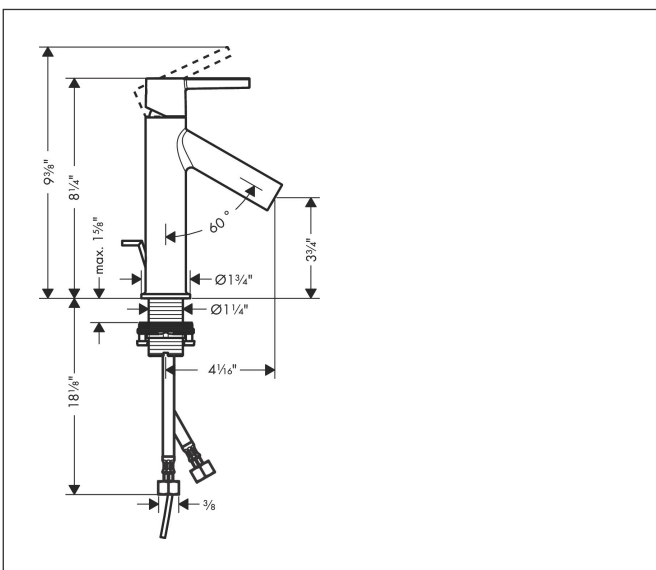
Product Picture



Features

- Consists of: drain valve set, single-hole lavatory faucet
- Handle design: lever handle
- Spray pattern: Aerated spray
- Maximum flow rate (at 3 bar): 4.5 l/min
- Ceramic cartridge
- Pop-up drain G 1

Drawing

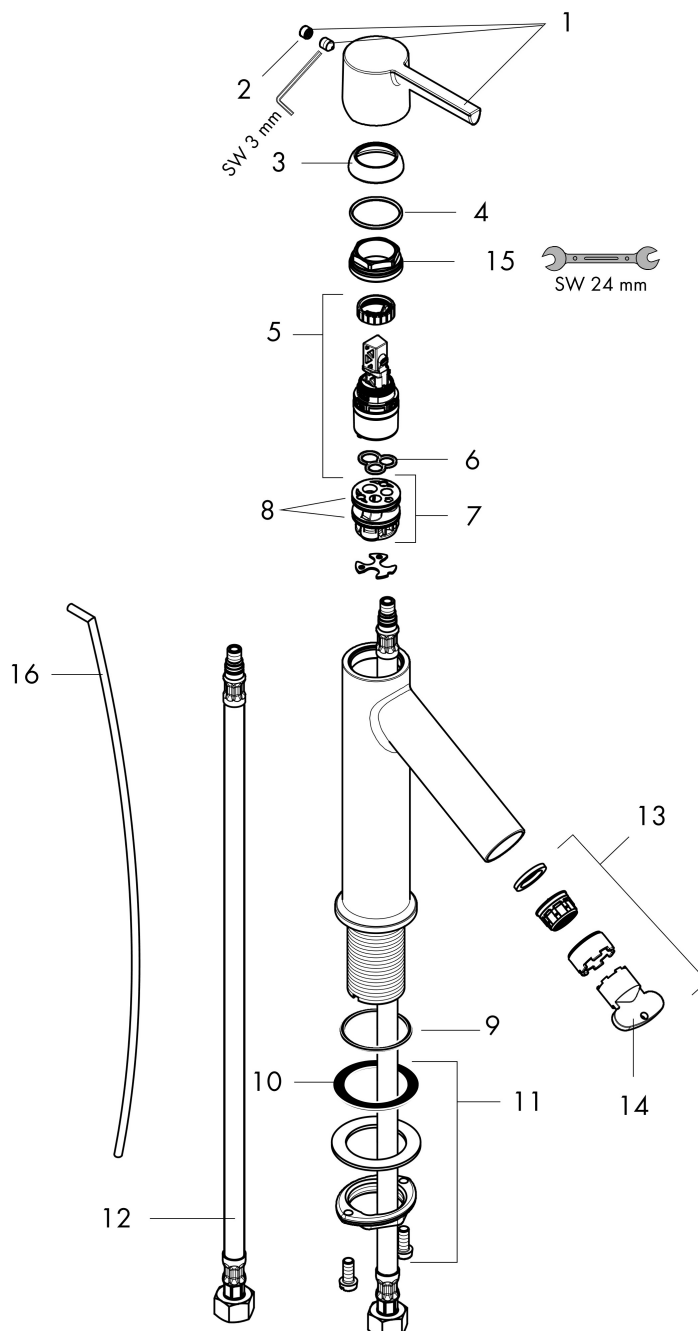


Technology



Brand AXOR
Art. Name **AXOR Starck** Single-Hole Faucet 100 with Lever Handle and Pop-Up Drain, 1.2 GPM
Art. Nr. 10001001
Surface Chrome
Pos. 1

Spare Parts Drawings for build year: >10/20



Brand AXOR
 Art. Name **AXOR Starck** Single-Hole Faucet 100 with Lever Handle and Pop-Up Drain, 1.2 GPM
 Art. Nr. 10001001
 Surface Chrome
 Pos. 1

Spare parts list for build year: >10/20

Pos.	Description	Article number
1	handle	92385000
2	screw cover	96762000
3	flange	98863000
4	O-Ring 22x2	98185000
5	cartridge, assy	95973001
6	seal	98865000
7	adapter for cartridge	98866000
8	O-ring 23x2	98398000
9	O-ring 34x4	98155000
10	lever collar	97548000
11	fixing set (Ø 32)	13961000
12	connection hose 23½" M8x0,75 3/8"	98600001
13	aerator M24x1 (4,5 l/min)	92386001
14	special tool	95290000
15	nut	95178000
16	pull rod	97158000
a	pop up waste	88509000