

Brand	AXOR
Art. Name	AXOR Starck Single-Hole Faucet 100 with Lever Handle, 0.5 GPM, without Pop-up Drain
Art. Nr.	10003001
Surface	Chrome
Pos.	1

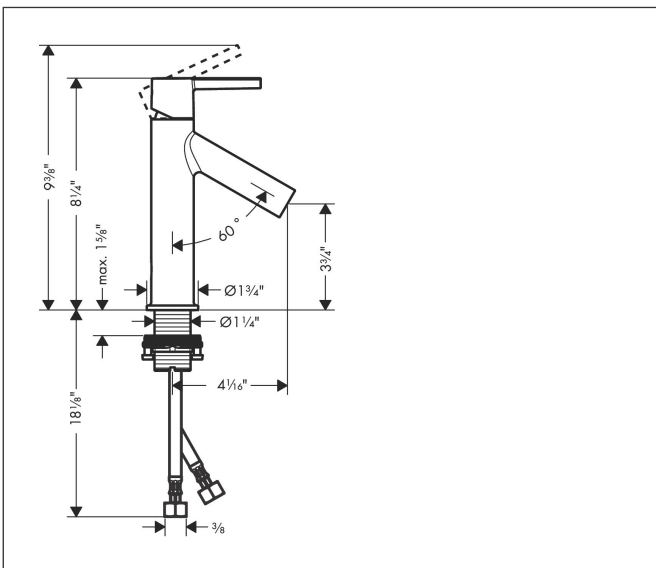
Product Picture



Features

- Handle design: lever handle
- Spray pattern: Aerated spray
- Maximum flow rate (at 3 bar): 1.9 l/min
- Ceramic cartridge

Drawing

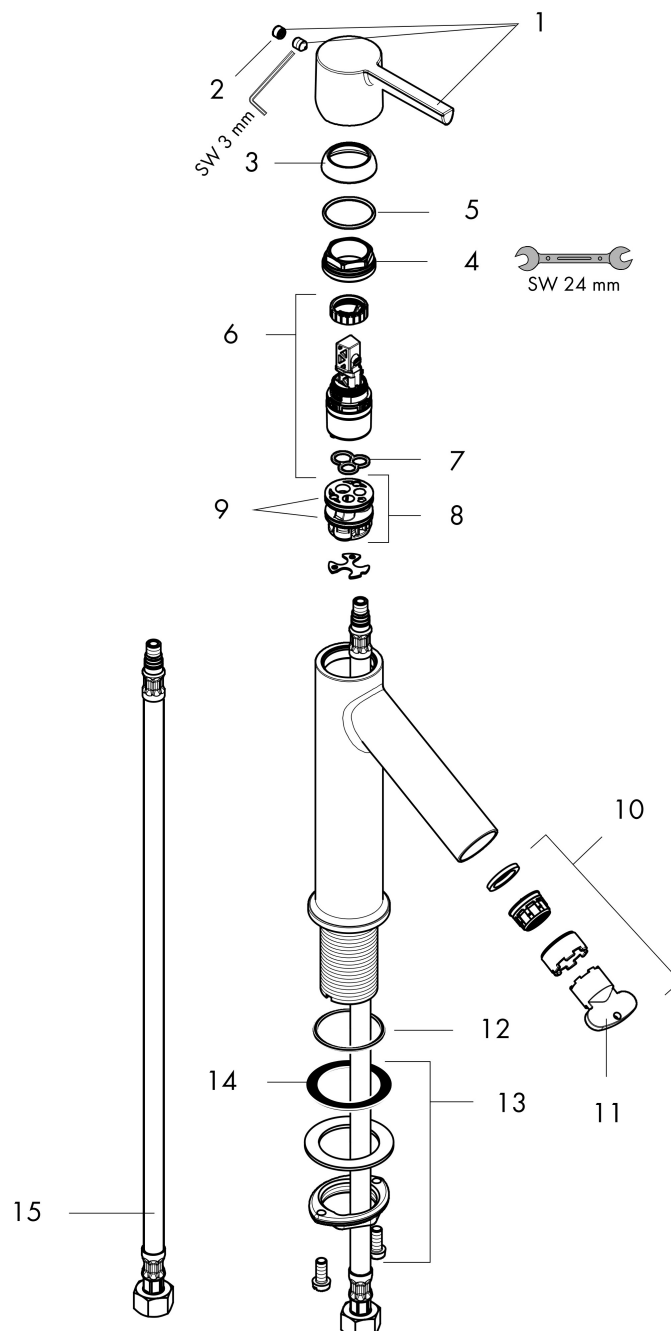


Technology



Brand AXOR
Art. Name **AXOR Starck** Single-Hole Faucet 100 with Lever Handle, 0.5 GPM, without Pop-up
Drain
Art. Nr. 10003001
Surface Chrome
Pos. 1

Spare Parts Drawings for build year: >10/20



Brand AXOR
 Art. Name **AXOR Starck** Single-Hole Faucet 100 with Lever Handle, 0.5 GPM, without Pop-up Drain
 Art. Nr. 10003001
 Surface Chrome
 Pos. 1

Spare parts list for build year: >10/20

Pos.	Description	Article number
1	handle	92385000
2	screw cover	96762000
3	flange	98863000
4	nut	95178000
5	O-Ring 22x2	98185000
6	cartridge, assy	95973001
7	seal	98865000
8	adapter for cartridge	98866000
9	O-ring 23x2	98398000
10	aerator M24x1 (1,9 l/min)	93825001
11	special tool	95290000
12	O-ring 34x4	98155000
13	fixing set (Ø 32)	13961000
14	lever collar	97548000
15	connection hose 23½" M8x0,75 3/8"	98600001