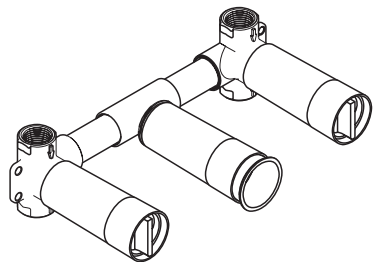


# AXOR

EN Installation / User Instructions / Warranty  
FR Instructions de montage / Mode d'emploi / Garantie  
ES Instrucciones de montaje / Manejo / Garantía



10303181

## INSTALLATION

## ENGLISH

### TECHNICAL INFORMATION

Water pressure	
Recommended	15 - 75 PSI (0.1 - 0.5 MPa)
Maximum	145 PSI (1 MPa)
Hot water temp.	
Recommended	120°-140° F (48° - 60° C)*
Maximum	158°F (70° C)*

\* Please know and follow all applicable local plumbing codes when setting the temperature on the water heater.

### INSTALLATION CONSIDERATIONS

- / For best results, Hansgrohe recommends that this unit be installed by a licensed, professional plumber.
- / Please read over these instructions thoroughly before beginning installation. Make sure that you have all tools and supplies needed to complete the installation.
- / Know and follow all applicable local plumbing codes when installing this faucet. Pay special attention to the required air gap between the end of the spout and the top of the lavatory.
- ⚠ This rough valve requires a trim kit (not included).
- / Keep this booklet and the receipt (or other proof of date and place of purchase) for this product in a safe place. The receipt is required should it be necessary to request warranty parts.

## FRANÇAIS

### DONNÉES TECHNIQUES

Pression d'eau	
recommandée	15 - 75 PSI (0.1 - 0.5 MPa)
maximum	145 PSI (1 MPa)
Température d'eau chaude	
recommandée	120°-140° F (48° - 60° C)*
maximum	158°F (70° C)*

\* Vous devez connaître et respecter tous les codes de plomberie locaux applicables pour le réglage de la température du chauffe-eau.

### À PRENDRE EN CONSIDÉRATION POUR L'INSTALLATION

- / Pour de meilleurs résultats, Hansgrohe recommande que ce produit soit installé par un plombier professionnel licencié.
- / Veuillez lire attentivement ces instructions avant de procéder à l'installation. Assurez-vous de disposer de tous les outils et du matériel nécessaires pour l'installation.
- / Vous devez connaître et respecter tous les codes de plomberie locaux applicables lors de l'installation de ce robinet. Portez une attention particulière à la coupure anti-retour requise entre l'extrémité du bec et le dessus du lavabo.
- ⚠ Cette valve nécessite un kit de garniture (non compris).
- / Conservez ce livret et le reçu (ou une autre preuve sur laquelle figurent la date et l'endroit de l'achat) pour ce produit dans un endroit sûr. Le reçu est requis si vous commandez des pièces sous garantie.

# ESPAÑOL

## DATOS TECNICOS

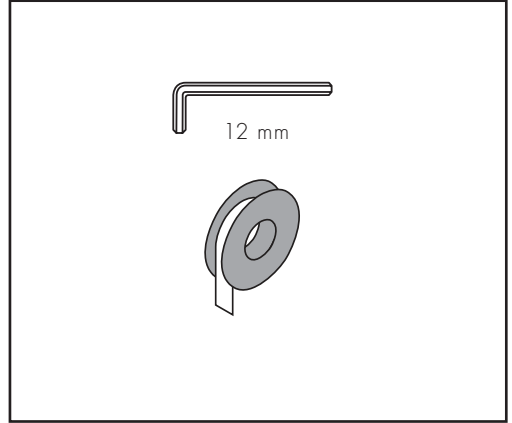
Presión en servicio	
recomendada	15 - 75 PSI (0.1 - 0.5 MPa)
max.	145 PSI (1 MPa)
Temperatura del agua caliente	
recomendada	120°-140° F (48° - 60° C)*
max.	158° F (70° C)*

\* Debe conocer y cumplir todos los códigos locales aplicables para ajustar la temperatura del calentador de agua.

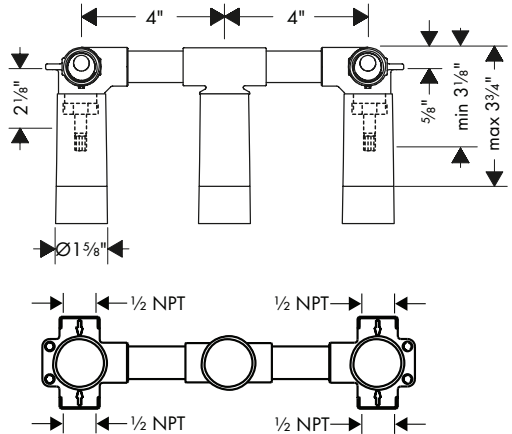
## CONSIDERACIONES PARA LA INSTALACIÓN

- / Para obtener mejores resultados, la instalación debe estar a cargo de un plomero profesional matriculado.
  - / Antes de comenzar la instalación, lea estas instrucciones detenidamente. Asegúrese de tener las herramientas y los insumos necesarios para completar la instalación.
  - / Debe conocer y cumplir todos los códigos locales aplicables al instalar este chorro. Al instalar este grifo, se deben conocer y cumplir todos los códigos locales aplicables de plomería. Preste especial atención al espacio de aire necesario entre el final del surtidor y la parte superior del lavatorio.
- ⚠ Esta válvula requiere una pieza exterior (no incluida).
- / Mantenga este folleto y el recibo (u otro comprobante del lugar y fecha de compra) de este producto en lugar seguro. El recibo se requiere en caso de ser necesario solicitar piezas bajo garantía.

## TOOLS REQUIRED / OUTILS REQUIS / HERRAMIENTAS ÚTILES

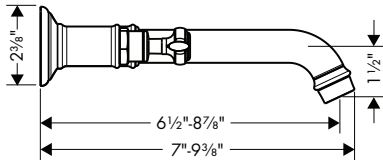


10303181

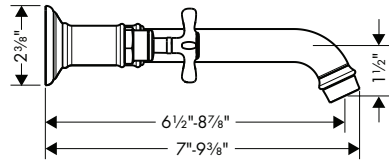


TRIM KITS (NOT INCLUDED) / ROBINETTERIE (NON COMPRIS) / PIEZAS EXTERIORES (NO INCLUIDAS)

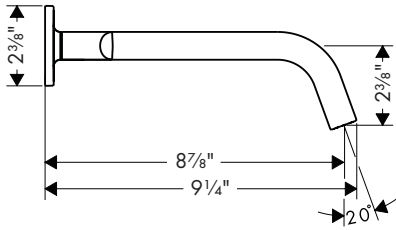
AXOR Montreux  
16534XX1



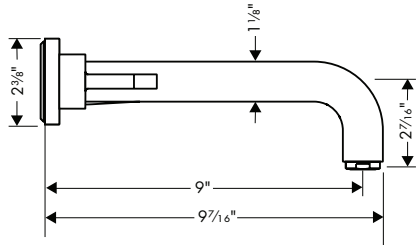
AXOR Montreux  
16532XX1



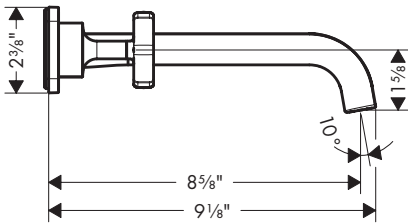
AXOR Citterio M  
34315XX1



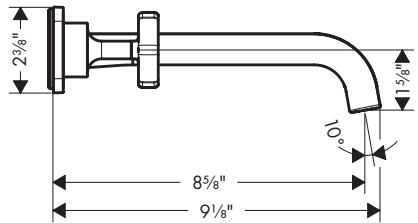
AXOR Citterio  
39147XX1



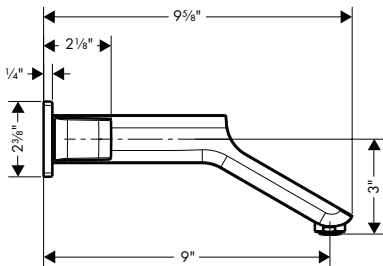
AXOR Citterio E  
36107XX1



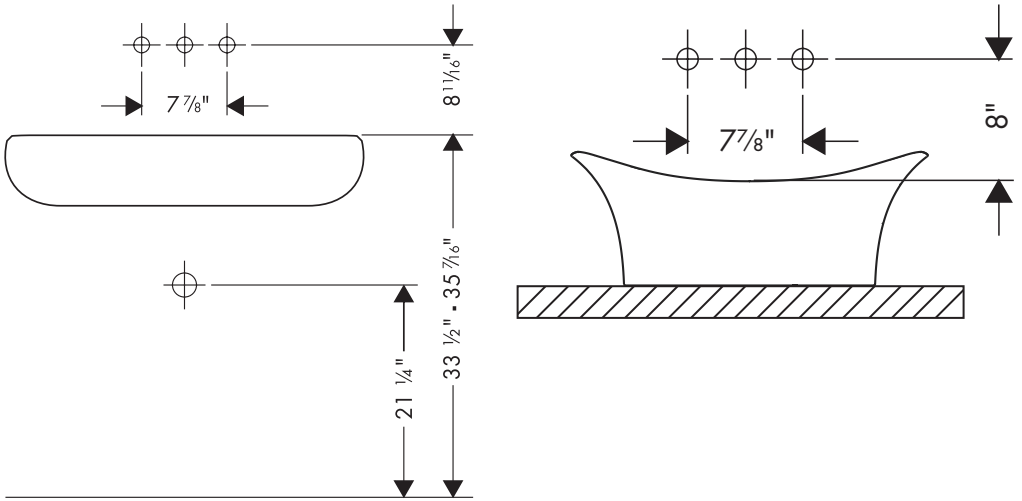
AXOR Citterio E  
36115XX1



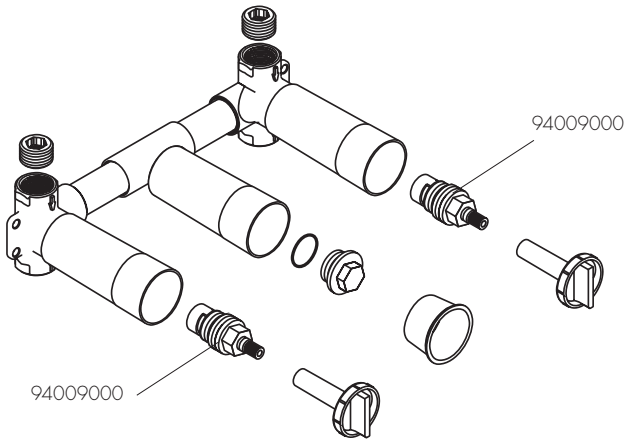
AXOR Urquiola  
11043XX1



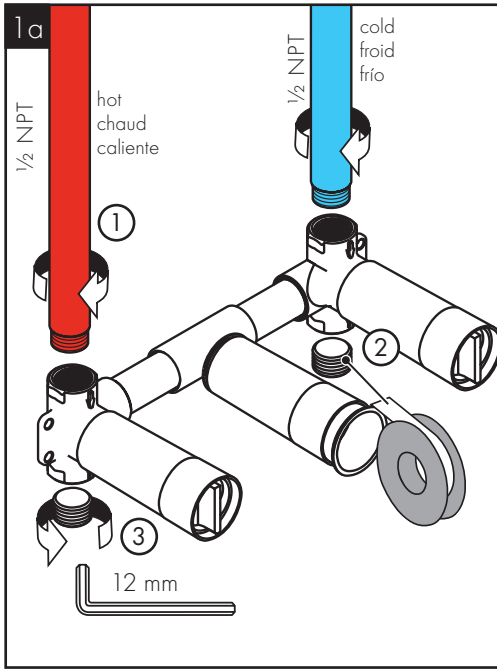
INSTALLATION SUGGESTIONS / SUGGESTIONS D'INSTALLATION / SUGERENCIAS PARA LA INSTALACIÓN



REPLACEMENT PARTS / PIÈCES DÉTACHÉES / REPUESTOS



# INSTALLATION / INSTALLATION / INSTALACIÓN



⚠ TO INSURE CORRECT OPERATION OF THE FAUCET, THE HOT SUPPLY MUST BE ON THE LEFT AND THE COLD SUPPLY MUST BE ON THE RIGHT.

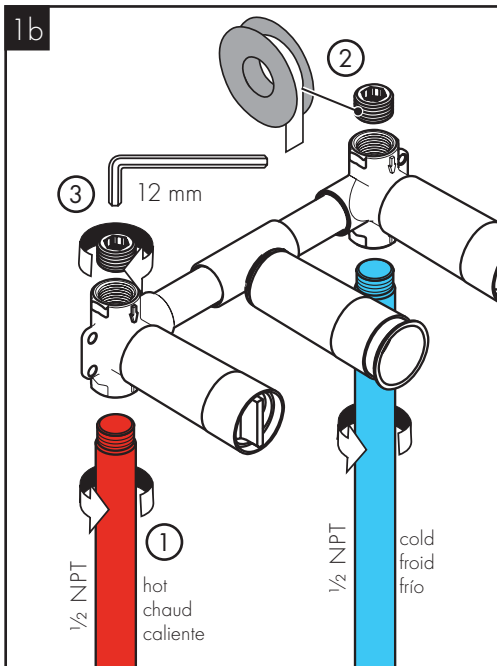
Install the hot and cold supplies.

Install the plugs on the unused inlets.

⚠ POUR QUE LE ROBINET FONCTIONNE CORRECTEMENT, L'ARRIVÉE D'EAU CHAUDE DOIT ÊTRE À GAUCHE ET L'ARRIVÉE D'EAU FROIDE À DROITE.

Installez les alimentations chaude et froide.

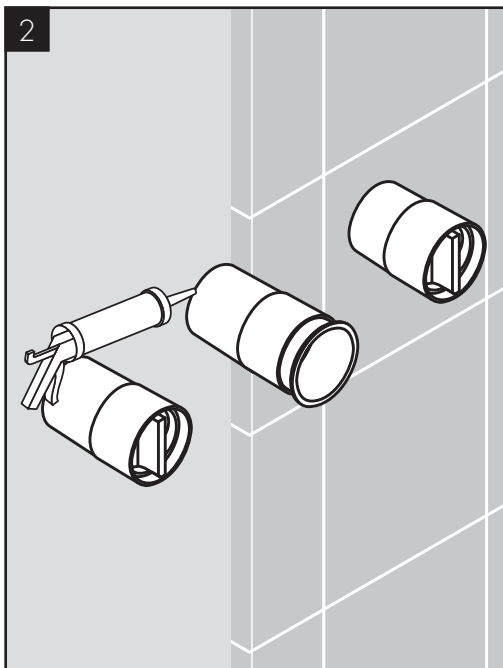
Installez les bouchons sur les entrées inutilisés.



⚠ PARA QUE EL GRIFO FUNCIONE CORRECTAMENTE, EL SUMINISTRO DE AGUA CALIENTE DEBE ESTAR A LA IZQUIERDA Y EL DE AGUA FRÍA A LA DERECHA.

Instale los suministros de agua caliente y fría.

Instale los tapones en las entradas no utilizadas.



Install the sheet rock or green board on the wall. It should come up to the plaster shields.

Use sealant to fill any gap between the plaster shield and the sheet rock or green board.

Install the finished wall surface.

Installez le panneau de plâtre ou le panneau de plâtre imperméable sur le mur. Il doit atteindre les protecteurs.

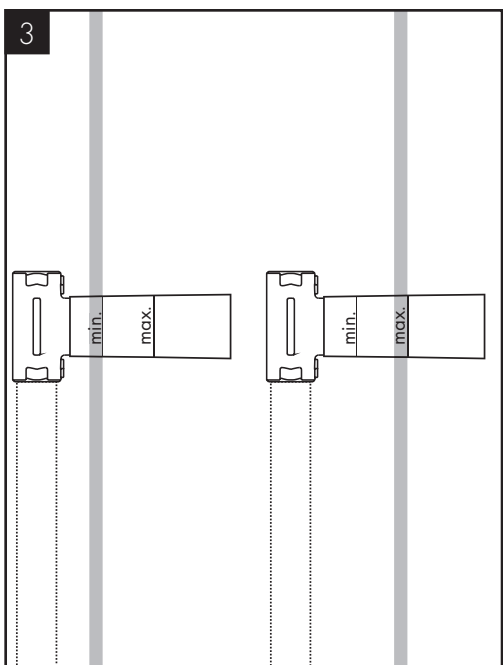
Scellez l'espace entre le panneau de plâtre (ou le panneau imperméable) à l'aide d'un agent d'étanchéité.

Installez la surface murale finie.

Instale la placa de yeso o el panel verde en la pared. Debe llegar hasta los protectores de yeso.

Use sellador para llenar los espacios entre los protectores de yeso y la placa de yeso o el panel verde.

Instale la superficie de la pared terminada.



The outside surface of the finished wall must fall between the "min" and "max" markings on the plaster shields.

La surface extérieure du mur fini doit se situer entre les marques « min » et « max » figurant sur les protecteurs.

La superficie exterior de la pared terminada debe quedar entre las marcas de "máximo" y "mínimo" de los protectores de yeso.

# HANSGROHE, INC. LIMITED WARRANTY

Offering our customers the highest quality at all times is a fundamental part of the Hansgrohe, Inc. company philosophy. We offer consumers a limited warranty on our hansgrohe® and AXOR® branded products.

This warranty is limited to products manufactured by Hansgrohe, Inc. that are purchased from a Hansgrohe, Inc. authorized seller by a consumer in the United States or Canada after September 1, 2019, and installed in either the United States or in Canada.

## WARRANTY

Hansgrohe, Inc. warrants to the original consumer purchaser that hansgrohe and AXOR products will be free from defects in material and workmanship for as long as the original consumer purchaser owns both the product and the home in which the product was originally installed. For commercial purchasers, the warranty period is (a) one (1) year for hansgrohe products and (b) five (5) years for AXOR products, in each case from the date of purchase. The warranty period for products in the Rubbed Bronze, Matte Black and Matte White finishes are three (3) years from the date of purchase. This warranty is non-transferable.

## WHAT WE WILL DO

Hansgrohe, Inc., at its option, will replace any product or part of the product that proves defective in workmanship and/or material, under normal installation, use, service and maintenance. If Hansgrohe, Inc. is unable to provide a replacement part or product and repair is not practical or cannot be made in timely fashion, Hansgrohe, Inc. may elect to refund the purchase price in exchange for the return of the defective product. REPAIR OR REPLACEMENT (OR, IN LIMITED CIRCUMSTANCES, REFUND OF THE PURCHASE PRICE) AS PROVIDED UNDER THIS LIMITED WARRANTY IS THE EXCLUSIVE REMEDY OF THE PURCHASER.

## WHAT IS NOT COVERED BY THE WARRANTY

Because Hansgrohe, Inc. is unable to control the quality of hansgrohe or AXOR products sold by unauthorized sellers, unless otherwise prohibited by law, this warranty does not cover hansgrohe or AXOR products purchased from unauthorized sellers. Authorized sellers can be found on hansgrohe and AXOR branded websites.

Labor and other expenses for disconnection, deinstallation, or return of the product for warranty service (including but not limited to proper packaging and shipping costs), or for installation or reinstallation of the product are not covered by this warranty.

Hansgrohe, Inc. shall not be liable for any damage to the product resulting from

- reasonable wear and tear
- outdoor use
- misuse (including use of the product for an unintended application)
- freezing water
- excessive water pressure
- pipe corrosion in the home in which the product is installed
- abuse, neglect or improper or incorrectly performed installation, maintenance or repair, including the use of abrasive or caustic cleaning agents or "no-rinse" cleaning products.

This warranty does not cover: (i) accessories, connected materials and products, or related products not manufactured by Hansgrohe, Inc. (ii) any hansgrohe or AXOR product sold for display purposes or (iii) hansgrohe or AXOR products purchased from unauthorized sellers.

## WHAT YOU MUST DO TO OBTAIN WARRANTY SERVICE OR INFORMATION

Contact your retailer, or contact Technical Service at:

Hansgrohe, Inc.  
1492 Bluegrass Lakes Parkway  
Alpharetta, GA 30004  
Toll-free 800-334-0455

In requesting warranty service, you will need to provide:

1. The sales receipt or other evidence of the date and place of purchase.
2. A description of the problem.
3. Delivery of the product or the defective part, postage prepaid and carefully packed and insured, to:

Hansgrohe, Inc.  
1492 Bluegrass Lakes Parkway  
Alpharetta, GA 30004  
Toll-free 800-334-0455

When warranty service is completed, any repaired or replacement product or part will be returned to you postage prepaid.

REVISED SEPTEMBER 1, 2019.

**LIMITATION ON DURATION OF IMPLIED WARRANTIES:** Some States do not allow limitations on how long an implied warranty lasts, so the below limitations may not apply to you. TO THE MAXIMUM EXTENT PERMITTED BY APPLICABLE LAW, ANY IMPLIED WARRANTY, INCLUDING THE IMPLIED WARRANTIES OF MERCHANTABILITY AND OF FITNESS FOR A PARTICULAR PURPOSE, IS LIMITED TO THE STATUTORY PERIOD OR THE DURATION OF THIS WARRANTY, WHICHEVER IS SHORTER.

**LIMITATION OF SPECIAL, INCIDENTAL OR CONSEQUENTIAL DAMAGES:** Some States do not allow the exclusion or limitation of incidental or consequential damages, so the below limitations and exclusions may not apply to you. TO THE MAXIMUM EXTENT PERMITTED BY APPLICABLE LAW, THIS WARRANTY DOES NOT COVER, AND HANSGROHE, INC. SHALL NOT BE LIABLE FOR, ANY SPECIAL, INCIDENTAL OR CONSEQUENTIAL DAMAGES (INCLUDING LABOR CHARGES TO REPAIR, REPLACE, INSTALL OR REMOVE THIS PRODUCT), WHETHER ARISING OUT OF BREACH OF ANY EXPRESS OR IMPLIED WARRANTY, BREACH OF CONTRACT, TORT, OR OTHERWISE. HANSGROHE, INC. SHALL NOT BE LIABLE FOR ANY DAMAGE TO THE PRODUCT RESULTING FROM REASONABLE WEAR AND TEAR, OUTDOOR USE, MISUSE (INCLUDING USE OF THE PRODUCT FOR AN UNINTENDED APPLICATION), FREEZING WATER, EXCESSIVE WATER PRESSURE, PIPE CORROSION IN THE HOME IN WHICH THE PRODUCT IS INSTALLED, ABUSE, NEGLECT OR IMPROPER OR INCORRECTLY PERFORMED INSTALLATION, MAINTENANCE

OR REPAIR, INCLUDING THE USE OF ABRASIVE OR CAUSTIC CLEANING AGENTS OR "NO-RINSE" CLEANING PRODUCTS.

**NOTICE TO RESIDENTS OF THE STATE OF NEW JERSEY:**  
The provisions of this warranty, including its limitations, are intended to apply to the fullest extent permitted by the laws of the State of New Jersey.

This warranty gives you specific legal rights, and you may also have other rights which vary from state to state.

## PRODUCT INSTRUCTIONS AND QUESTIONS

Upon purchase or prior to installation, please carefully inspect your product for any damage or visible defect. Prior to installing, always carefully study the enclosed instructions on the proper installation and the care and maintenance of this product.

If you have questions at any time about the use, installation or performance of your product, or the Limited Warranty, please write us or call us toll-free at 800-334-0455.





# AXOR

AXOR / Hansgrohe, Inc.  
1490 Bluegrass Lakes Parkway  
Alpharetta, GA 30004  
Tel. 800-334-0455  
Fax 770-889-1783

[axor-design.com](http://axor-design.com)