

Brand AXOR  
 Art. Name Rough, Freestanding Tub Filler  
 Art. Nr. 10452181  
 Pos. 1

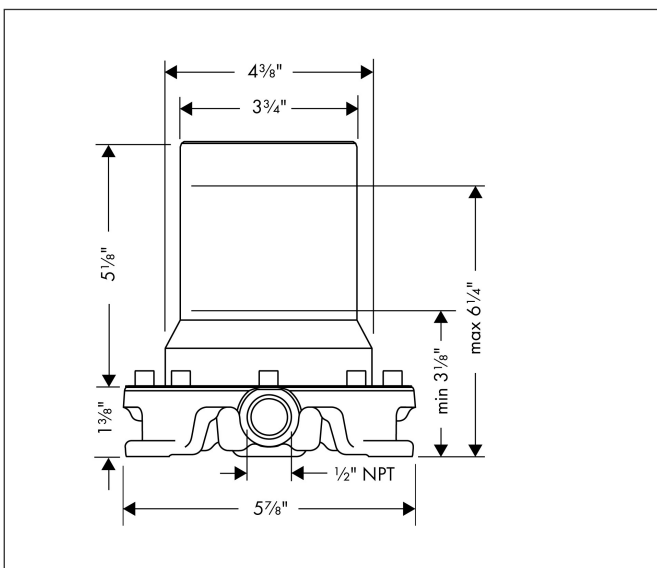
## Product Picture



## Features

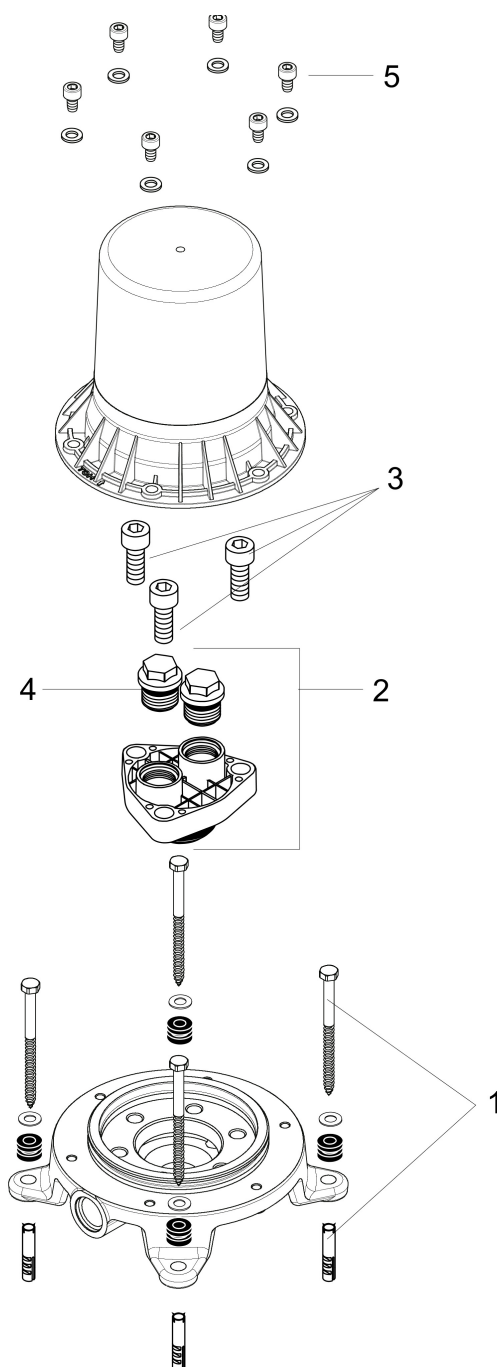
- Connection thread: 1/2" NPT
- Minimum mounting depth: 53 mm
- Maximum mounting depth: 133 mm

## Drawing



Brand AXOR  
Art. Name Rough, Freestanding Tub Filler  
Art. Nr. 10452181  
Pos. 1

## Spare Parts Drawings for build year: >12/08



Brand AXOR  
Art. Name Rough, Freestanding Tub Filler  
Art. Nr. 10452181  
Pos. 1

---

## Spare parts list for build year: >12/08

Pos.	Description	Article number
1	mounting kit	96260000
2	flushing unit complete	96459000
3	hexagon socket screw M10x35	97670000
4	O-ring 15x2,5	98131000
5	hexagon socket screw M6x10	92847000